

Conductive Plastic Angle Sensor

CP-2FCB(m) Series

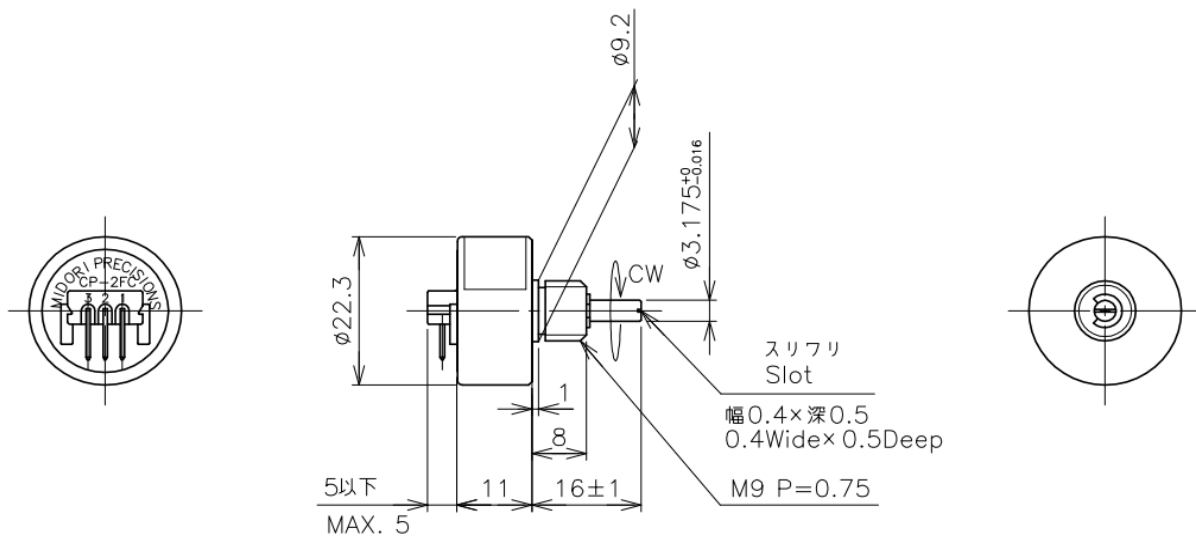


- Conductive Plastic Angle Sensor
- Effective Electrical Travel: 340°
- Independent Linearity :±1%
- Bushing Mount
- Metal Sleeve Bearing

【Material】

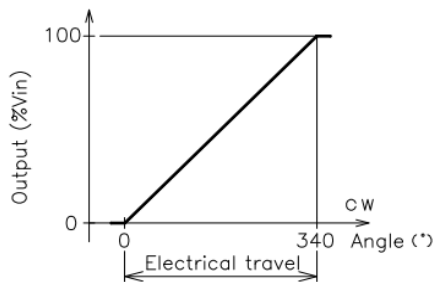
- Housing : Aluminum
- Shaft : Stainless Steel
- Bearing : Copper Alloy

Dimension [mm]

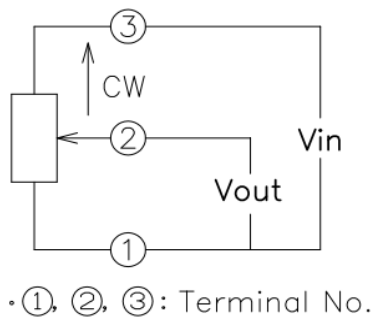


Matching Connector (**Not Included**) : Hirose Electric Co. P/N HNC2-2.5S-3(Housing), P/N HNC2-2.5S-D-A(PIN)

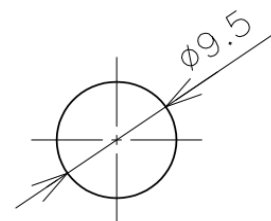
Output Characteristics



Schematic



Mounting



【Model No.】	CP-2FCB(m)
--------------------	------------

【Electrical Specifications】

Effective Electrical Angle	340 +2、-3	°
Total Resistance	1、5	kΩ
Total Resistance Tolerance	±20	%
Independent Linearity	±1	%
Rated Dissipation	0.5/50°C	W
Output Smoothness	MAX. 0.1	%
Insulation Resistance	MIN. 100/DC1000V	MΩ
Dielectric Strength	AC1000/1Minute	V
Temperature Coefficient of Resistance	±1000	ppm/K

【Mechanical Specifications】

Total Mechanical Travel	360 Endless	°
Running Torque	MAX. 2	mN·m
Thrust Load Tolerance	2	N
Radial Load Tolerance	5	N
Mass	Approx. 20	g

【Environmental Specifications】

Life Cycle	10 Million	Cycle
Category Temperature Range	-40~+100	°C
Storage Temperature Range	-40~+100	°C
Vibration	150m/s ² 2000Hz 3axis 2hours each	
Shock	500m/s ² 11ms 6directions 3times	

■ Accessories

M9 nut
Internal tooth lock washer 1 piece each

■ Handling Instruction

- To avoid burnout of resistive element, do not supply more than 1mA current to terminal 2.
- Miswiring might cause burnout of resistive element.
- To reduce sliding noise, add load resistance should be more than 100times and less than 1000times of total resistance.
- Slight continuous vibration such as dither might cause short lifetime of the sensor.