

Contactless MR-element Angle Sensor

CP-2UKN-A Series

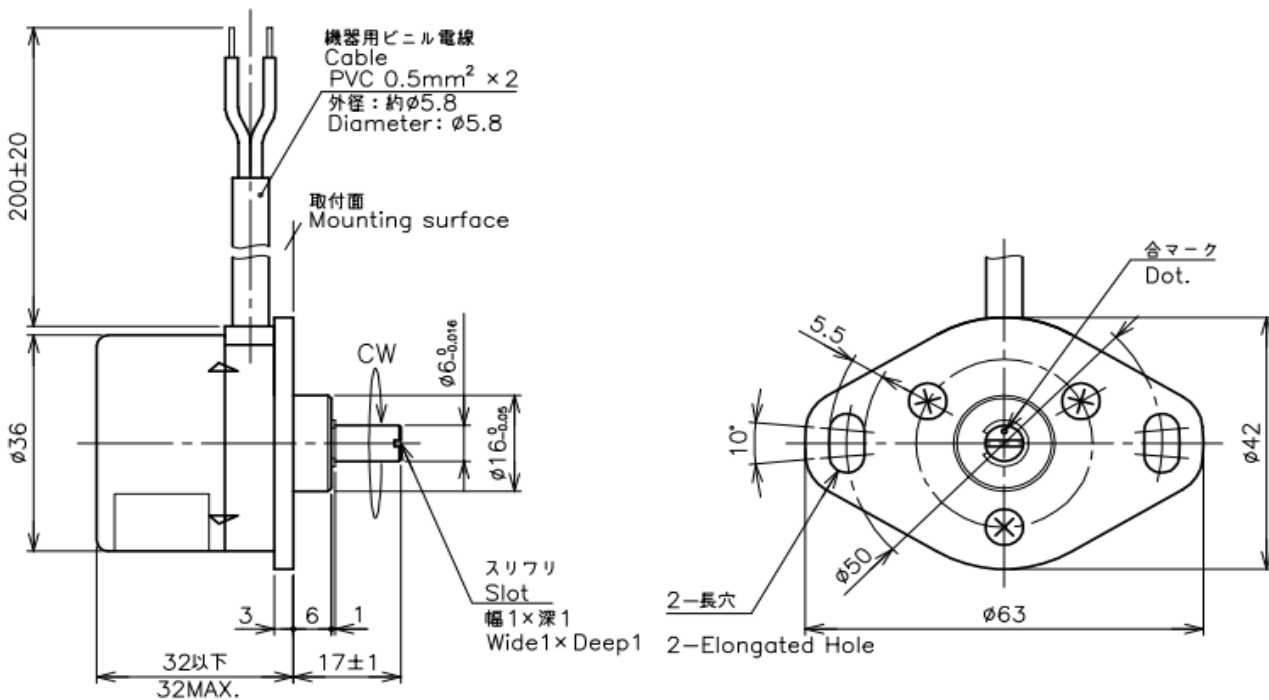


- Contactless MR-element Angle Sensor
- Effective Electrical Travel : $\pm 45^\circ$
- Independent Linearity : $\pm 2.2\%FS$
- Output Range: 4~20mA

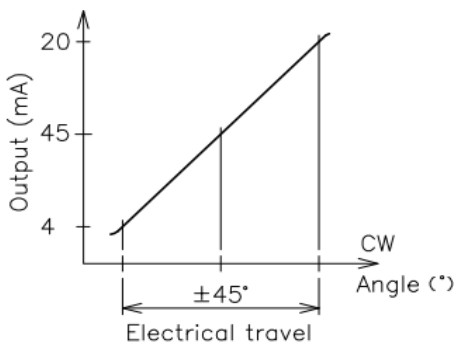
【Material】

- Housing : Aluminum
- Shaft : Stainless Steel
- Ball Bearing : Stainless Steel
- Cover : Steel, Nickel Plate

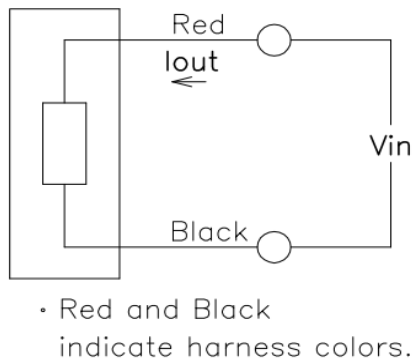
Dimension [mm]



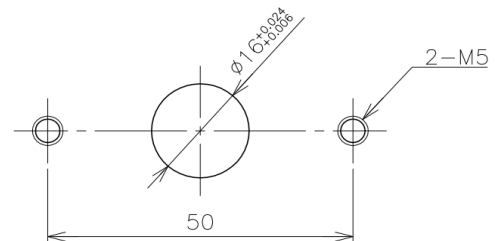
Output Characteristics



Schematic



Mounting



【Model No.】	CP-2UKN-A
--------------------	------------------

【Electrical Specifications】		
Effective Electrical Angle	±45	°
Output Range	4 ~ 20	mA
Independent Linearity	±2.2 (FS=90°)	%FS
Input Voltage	DC24±4	V
Load Resistance	MAX. 600 (At 24V/Vin)	Ω
Temp. Characteristics -20 - +80°C (Reference Temp. 25°C)	At 0° : ±1.4° At ±45°: ±3°	

【Mechanical Specifications】		
Total Mechanical Travel	360 Endless	°
Torque	MAX. 2	mN·m
Thrust Load Tolerance	4	N
Radial Load Tolerance	14	N
Mass	Approx. 80	g

【Environmental Specifications】		
Life Cycles	MIN. 50 Million	Cycle
Category Temperature Range	-20 ~ +80	°C
Storage Temperature Range	-40 ~ +100	°C
Vibration	100m/s ² 3 axis 2 hours each	
Shock	1000m/s ² 3 axis 6 directions 3 times each	
EMS	IEC61000-4-3, Level 3(10V/m)	
ESD (Case To Each Terminal)	±4kV (IEC)	
ESD (Between Each Terminal)	±4kV (IEC)	
IP Level	IP54 (Except shaft side from mounting surface)	

■ Handling Instruction

- These products do not shielded with shaft bearing
- Do not use this sensor as a variable resistor.
- This product may be influenced from external magnetic field.
- This model is available to remove mounting flange.