

MR-element Contactless Angle Sensor

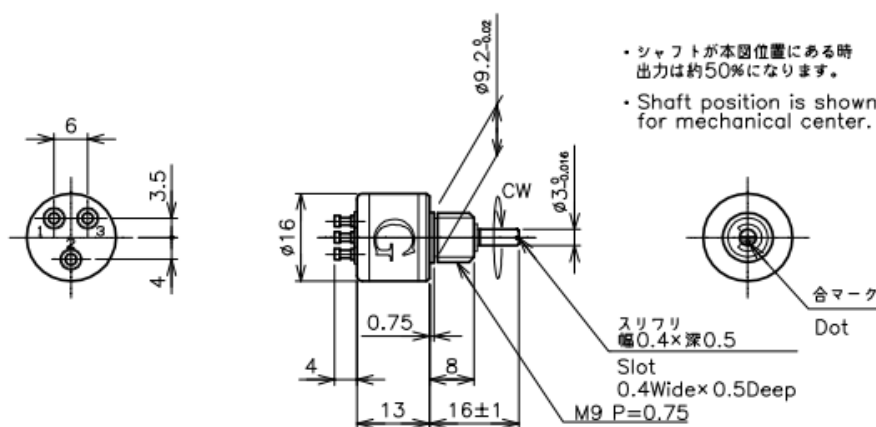
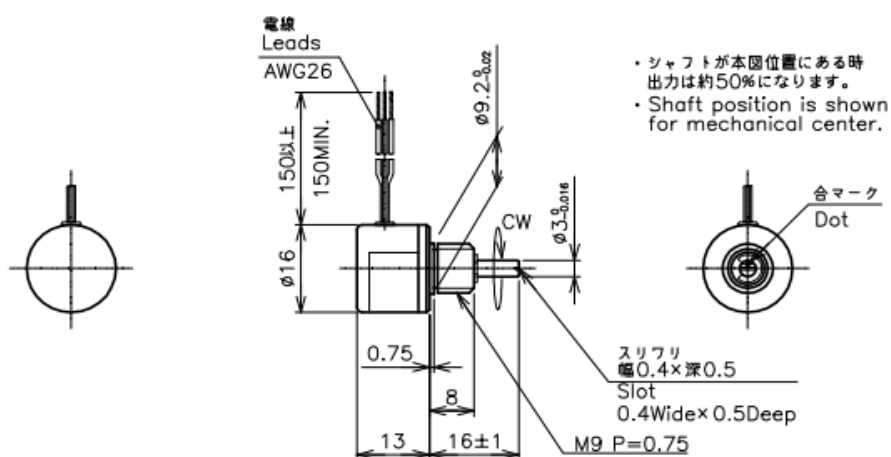
**CP-2UN Series**

- MR-element Contactless Angle Sensor
- Effective Electrical Travel :  $\pm 45^\circ$
- Independent Linearity :  $\pm 2\%FS$
- Bushing Mount
- Low Supply Current

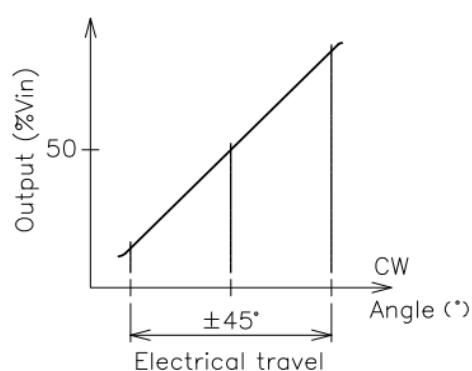
- CP-2UN : Turret Type
- CP-2UTN : Lead Wires Type

**【Material】**

- Housing : Aluminum
- Shaft : Stainless Steel
- Ball Bearing : Stainless Steel

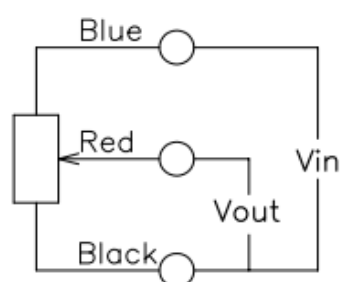
**Dimension [mm]**CP-2UTNCP-2UN

### Output Characteristics



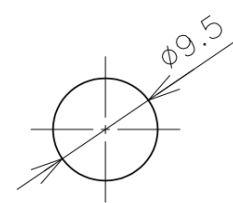
### Schematic

#### CP-2UN

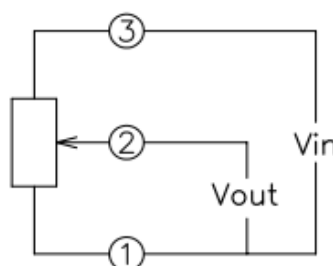


• Blue, Red, Black indicate wire colors.

### Mounting



#### CP-2UTN



• ①, ②, ③: Terminal No.

【Model No.】	CP-2UN <Turret Type>	CP-2UTN <Lead Wires Type>
<b>【Electrical Specifications】</b>		
Effective Electrical Travel	±45	°
Output Sensitivity	2 / 10°MIN.	%Vin
Independent Linearity	±2	%FS
Input Impedance	14 ±50% (7 ~ 21)	kΩ
Input Voltage	DC10 MAX.	V
Load Resistance	5	MΩ
Temp. Characteristics -20 ~ +80°C (Reference Temp. 25°C)	At 0°: ±0.5° At ±45°: ±6°	
<b>【Mechanical Specifications】</b>		
Mechanical Angle	360 Endless	°
Torque	MAX. 0.05	mN·m
Thrust Load Tolerance	1	N
Radial Load Tolerance	5	N
Mass	Approx. 10	g
<b>【Environmental Specifications】</b>		
Category Temperature Range	-40~+100	°C
Storage Temperature Range	-40~+100	°C
Vibration	200m/s <sup>2</sup> 3 axis 2 hours each	
Shock	100m/s <sup>2</sup> 3 axis 6 directions 3 times each	

### Options

Temperature compensating Range : -30~+100°C (TCC)

### Accessories

M9 nut  
Inner tooth lock washer      One piece each

### Handling Instruction

• Total resistance value may be changed greatly cause by influence of temperature changing at handling environment.