

Contactless Hall-IC Angle Sensor

CP-30H Series

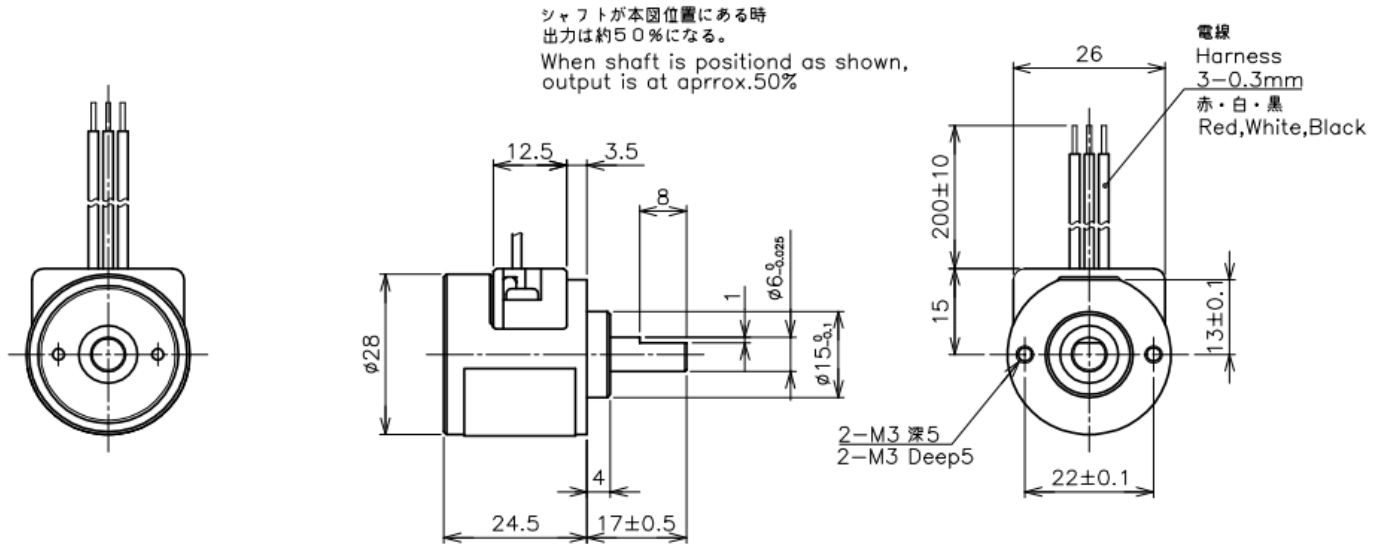


- Contactless Hall-IC Angle Sensor
- Effective Electrical Travel : $\pm 50^\circ$ (Option: $\pm 30^\circ$)
- Absolute Linearity : $\pm 6\%FS$

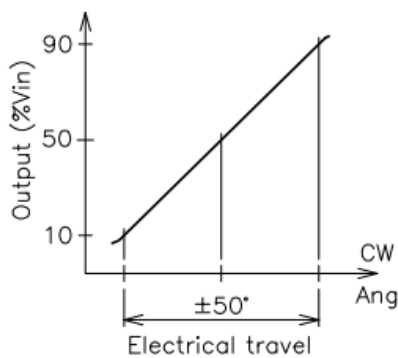
【Material】

- Housing : Aluminum
- Shaft : Stainless Steel
- Ball Bearing : Stainless Steel

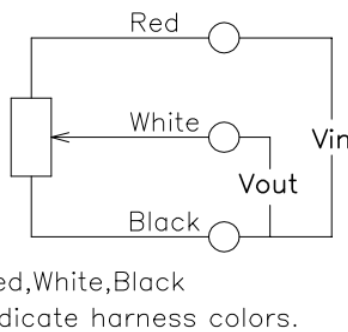
Dimension [mm]



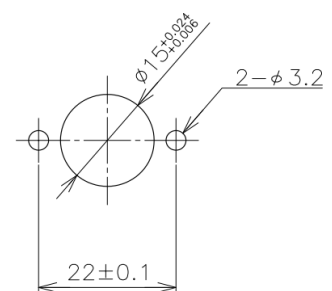
Output Characteristics



Schematic



Mounting



【Model No.】	CP-30H
--------------------	---------------

【Electrical Specifications】

Effective Electrical Travel	±50 (Option: ±30)	°
Output Range	10 ~ 90	%Vin
Absolute Linearity (Independent Linearity)	±6 (FS=100°) (±3%FS)	%FS
Input Voltage	DC5±0.5	V
Load Resistance	MIN. 10	kΩ
Supply Current	MAX. 10	mA
Insulation Resistance	MIN. 100 /DC50V	MΩ
Temp. Characteristics -40 ~ +125°C (Reference Temp. 25°C)	At 0°: ±1.6° At ±50°: ±3.2°	

【Mechanical Specifications】

Total Mechanical Travel	360 Endless	°
Torque	MAX. 0.3	mN·m
Thrust Load Tolerance	5	N
Radial Load Tolerance	10	N
Mass	Approx. 50	

【Environmental Specifications】

Life Cycles	±50°, 5Hz 10 Million	Cycle
Operating Temperature Range	-20 ~ +80	°C
Storage Temperature Range	-40 ~ +80	°C
Vibration	100m/s ² 5-500Hz (6 min)、3 axis 2 hours	
Shock	500m/s ² 11ms 3 axis 3 times	
EMS	50V/m 80k - 1MHz	
ESD	Between Each Terminal ±3.5kV Case To Each Terminal ±7.5kV	
IP Level	IP50	

■ Handling Instruction

- Do not use Hall-IC sensor as a variable resistor.
- This product may be influenced from external magnetic field.
- Use this sensor in the place where is protected from ESD.