

Contactless Hall-IC Angle Sensor

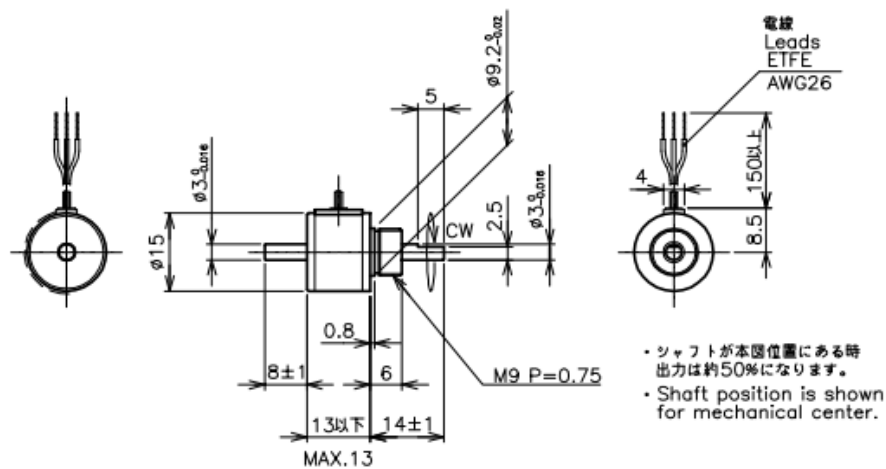
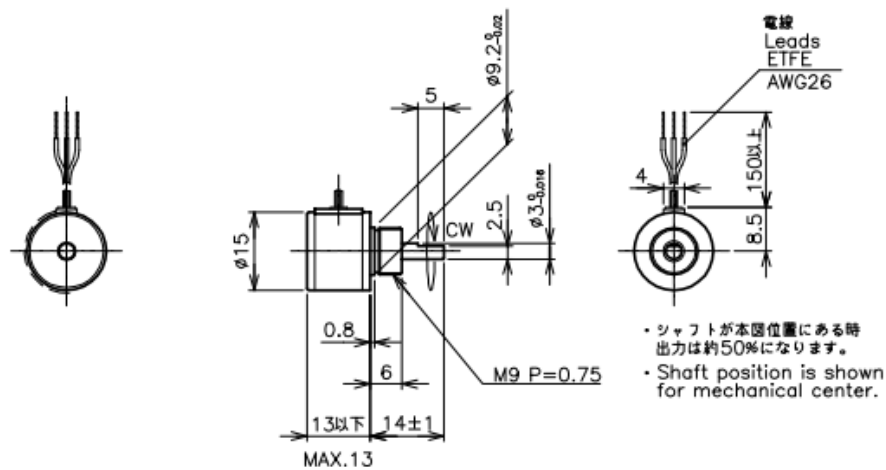
**QP-2H Series**

- Contactless Hall-IC Angle Sensor
- Effective Electrical Angle :  $\pm 45^\circ$
- Independent Linearity :  $\pm 1.5\%$
- Bushing Mount

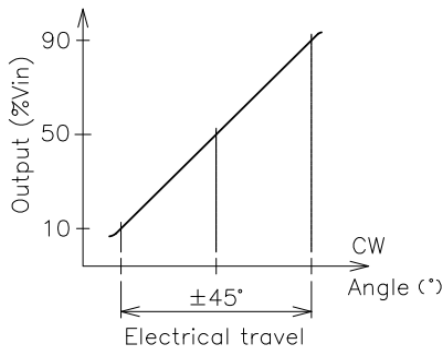
- QP-2H : Double Shaft
- QP-2HC : Single Shaft

**【Material】**

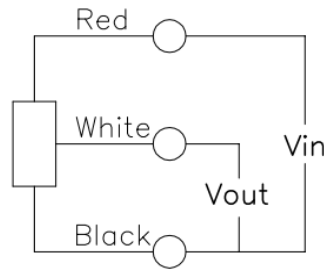
- Housing : Aluminum
- Shaft : Stainless Steel
- Cover : Stainless Steel
- Ball Bearing : Stainless Steel

**Dimension [mm]****QP-2H (Double Shaft)****QP-2HC (Single Shaft)**

### Output Characteristics

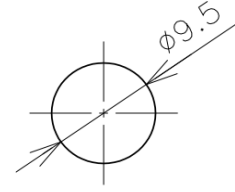


### Schematic



• Red, White, Black indicate wire colors.

### Mounting



### Model No.]

**QP-2H**

<Double Shaft>

**QP-2HC**

<Single Shaft>

### Electrical Specifications

Effective Electrical Angle	$\pm 45(90^\circ)$	°
Total Resistance	10~90	%Vin
Total Resistance Tolerance	$\pm 1.5(\text{FS}=90^\circ)$	%FS
Independent Linearity	DC5 $\pm$ 0.5	V
Rated Dissipation	MIN. 10	k $\Omega$
Output Smoothness	MAX. 10	mA
Insulation Resistance	MIN. 100/DC50V	M $\Omega$
Temp. Characteristics	At Center Position : $\pm 1.5^\circ$ At $\pm 45^\circ$ Position : $\pm 2.5^\circ$	

### Mechanical Specifications

Total Mechanical Travel	360 Endless	°
Running Torque	MAX. 0.05	mN·m
Thrust Load Tolerance	1	N
Radial Load Tolerance	3	N
Mass	10 Approx.	g

### Environmental Specifications

Category Temperature Range	-30~+100	°C
Storage Temperature Range	-30~+100	°C

### Accessories

M9 nut  
Inner tooth lock washer      One piece each

### Handling Instruction

- Do not use Hall-IC sensor as a variable resistor.
- This product may be influenced from external magnetic field.
- Use this sensor in the place where is protected from ESD.