

TGS 2444 - for the detection of Ammonia

Features:

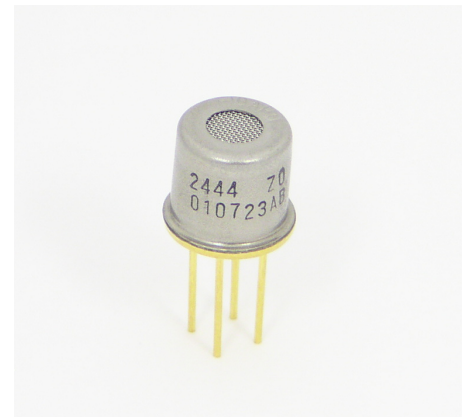
- * Low power consumption
- * High sensitivity/selectivity to ammonia (NH₃)
- * Miniature size

Applications:

- * Ammonia leak detection in refrigerators
- * Ventilation control for agricultural and poultry industries

TGS 2444 utilizes a multilayer sensor structure. A glass layer for thermal insulation is printed between a ruthenium oxide (RuO₂) heater and an alumina substrate. A pair of Au electrodes for the heater are formed on a thermal insulator. The gas sensing layer, which is formed of tin dioxide (SnO₂), is printed on an electrical insulation layer which covers the heater. A pair of Au electrodes for measuring sensor resistance are formed on the electrical insulator.

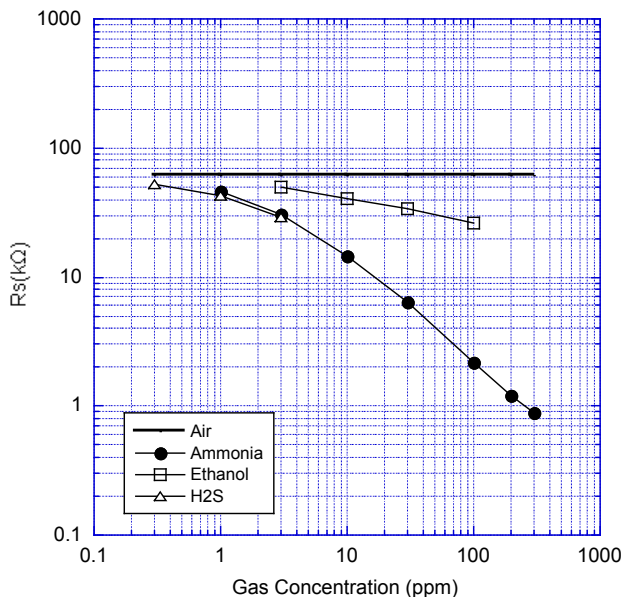
TGS 2444 displays good selectivity to ammonia, making it ideal for critical safety-related applications such as the detection of ammonia leaks in refrigeration systems and ammonia detection in the agricultural field. In the presence of ammonia, the sensor's conductivity increases depending on the gas concentration in the air. A simple pulsed electrical circuit operating on a 250msec circuit voltage cycle can convert the change in conductivity to an output signal which corresponds to gas concentration.



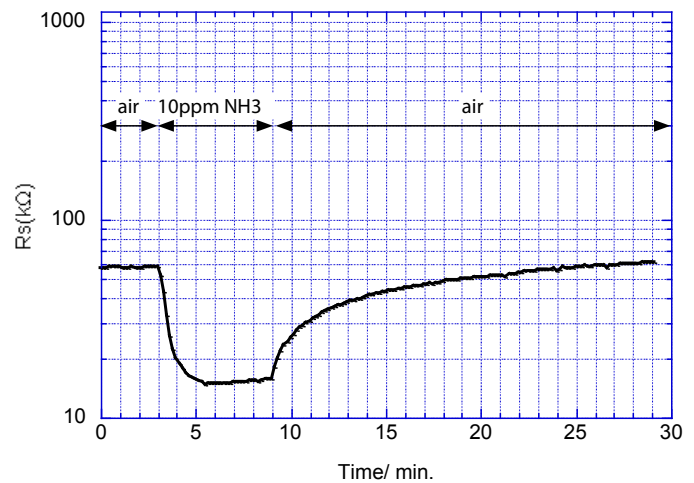
The figure below represents typical sensitivity characteristics, all data having been gathered at standard test conditions (see reverse side of this sheet). The Y-axis is indicated as sensor resistance of displayed gases at various concentrations:

The figure below represents the typical response pattern of TGS2444 when the atmosphere changes from clean air to the listed gas concentrations and then reverts back to clean air:

Sensitivity Characteristics:



Sensor Response Pattern:



IMPORTANT NOTE: OPERATING CONDITIONS IN WHICH FIGARO SENSORS ARE USED WILL VARY WITH EACH CUSTOMER'S SPECIFIC APPLICATIONS. FIGARO STRONGLY RECOMMENDS CONSULTING OUR TECHNICAL STAFF BEFORE DEPLOYING FIGARO SENSORS IN YOUR APPLICATION AND, IN PARTICULAR, WHEN CUSTOMER'S TARGET GASES ARE NOT LISTED HEREIN. FIGARO CANNOT ASSUME ANY RESPONSIBILITY FOR ANY USE OF ITS SENSORS IN A PRODUCT OR APPLICATION FOR WHICH SENSOR HAS NOT BEEN SPECIFICALLY TESTED BY FIGARO.

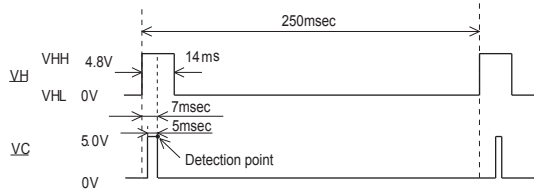
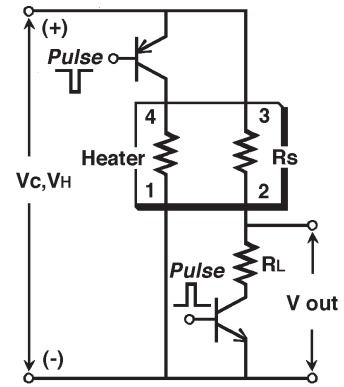
Basic Measuring Circuit:

Circuit voltage (V_c) is applied across the sensing element which has a resistance (R_s) between the sensor's two electrodes (pins No. 2 and No. 3) and a load resistor (R_L) connected in series. The sensing element is heated by the heater which is connected to pins No. 1 and No. 4.

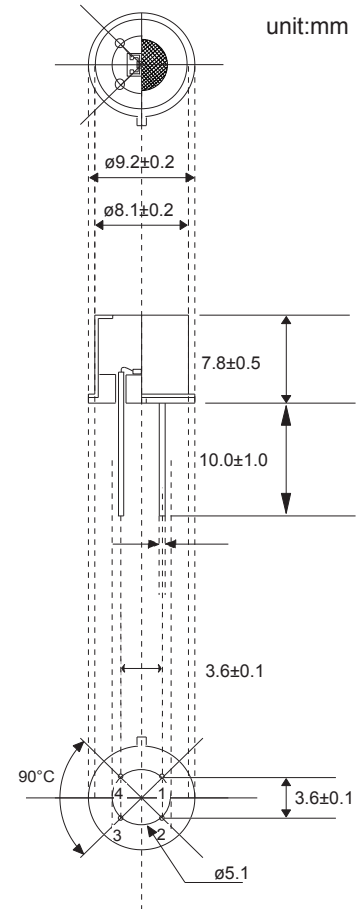
Heating cycle--The sensor requires application of a 250 msec heating cycle which is used in connection with a circuit voltage cycle of 250 msec. Each V_H cycle is comprised by 4.8V being applied to the heater for the first 14ms, followed by 0V pulse for the remaining 236ms. The V_c cycle consists of 0V applied for 2msec, followed by 5.0V for 5ms and 0V for 243msec. For achieving optimal sensing

characteristics, the sensor's signal should be measured after the midpoint of the 5ms V_c pulse of 5.0V (for reference, see timing chart below).

NOTE: Application of a V_c pulse condition is required to prevent possible migration of heater materials into the sensing element. Under extreme conditions of high humidity and temperature, a constant V_c condition could result in such migration and cause long term drift of R_s to higher values. A 5ms V_c pulse results in significantly less driving force for migration than a constant V_c condition, rendering the possibility of migration negligibly small.



Structure and Dimensions:



- Pin connections:
- 1: Heater
 - 2: Sensor (-)
 - 3: Sensor (+)
 - 4: Heater

Specifications:

Model number		TGS2444	
Sensing element type		M1	
Standard package		TO-5 metal can	
Target gases		Ammonia	
Typical detection range		10 ~ 100ppm	
Standard circuit conditions	Heater voltage cycle	V_H	$V_{HH}=4.8V \pm 0.2VDC$ for 14ms $V_{HL}=0V$ for 236ms
	Circuit voltage cycle	V_c	$V_c=0V$ for 245ms $V_c=5.0V \pm 0.2VDC$ for 5m (see timing chart for measurement timing)
	Load resistance	R_L	variable $R_L \geq 8k\Omega$
Electrical characteristics under standard test conditions	Heater resistance	R_H	$17 \pm 2.5\Omega$ at room temp.
	Heater current	I_H	approx. 203mA (in case of V_{HH})
	Heater power consumption	P_H	56mW (typical)
	Sensor resistance	R_s	$2.2k\Omega \sim 44.6k\Omega$ in 10ppm of ammonia
	Sensitivity (change ratio of R_s)	β	$\frac{R_s(NH_3 \ 100ppm)}{R_s(NH_3 \ 10ppm)}$ 0.06 ~ 0.63
Standard test conditions	Test gas conditions	Ammonia in air at $20 \pm 2^\circ C$, $65 \pm 5\% RH$	
	Circuit conditions	Same as Std Circuit Condition (above)	
	Conditioning period before test	≥ 48 hours	
Operating conditions	$-10^\circ C \sim +50^\circ C$ w/o dew condensation Less than absolute humidity corresponds to $40^\circ C/80\% RH$		
Storage conditions	$-20^\circ C \sim +60^\circ C$ w/o dew condensation Less than absolute humidity corresponds to $60^\circ C/90\% RH$		

Sensor resistance (R_s) is calculated with a measured value of V_{out} as follows:

$$R_s = \frac{V_c \times R_L}{V_{out}} - R_L$$

For information on warranty, please refer to Standard Terms and Conditions of Sale of Figaro USA Inc.

REV: 11/10

FIGARO ENGINEERING INC.
1-5-11 Senba-nishi
Mino, Osaka 562 JAPAN
Phone: (81)-72-728-2561
Fax: (81)-72-728-0467
www.figaro.co.jp
email: figaro@figaro.co.jp