



# M1575HCT-22P-MR

## HIGH PERFORMANCE PASSIVE GPS ANTENNA

Ordering Part #: 100-00042-01

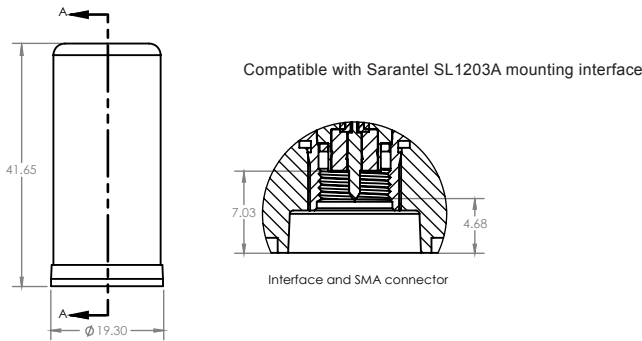


### Description

The M1575HCT-22P-MR is a rugged high performance passive antenna designed for the GPS L1 band, and built on Maxtena proprietary Helicore® technology. This technology provides exceptional pattern control, polarization purity and high efficiency in a very compact form factor. The M1575HCT-22P-MR is a screw-on design, featuring an integrated SMA connector. The ultra light design is rated IP-67 when both mounted and unmounted for added protection. This product is designed for applications requiring high quality reception of GPS signals.

### Mechanical Specifications

dimensions are in mm



### Electrical Specifications

Parameter	Design Specifications
Frequency	1575 MHz
Polarization	RHCP
Antenna element peak gain	-0.5 dBic (typical)
Efficiency	25% (typical)
Bandwidth (-1dB)	20 MHz
Axial Ratio	1 dB (typical) / 1.5 dB (max)
VSWR	1.5 (max)
Impedance	50 Ohm
Operating temp.	from -40°C to 85°C
RF connector	SMA

### Features

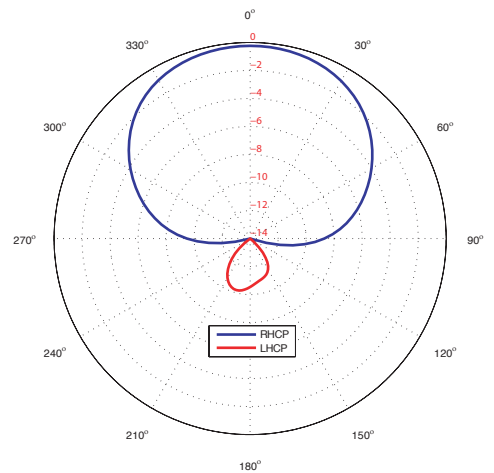
- GPS band
- Very low axial ratio
- IP-67 mounted and unmounted
- Ultra light weight - 10 grams
- Ground plane independent

### Applications

- Vehicle and fleet tracking
- Military & security
- Asset tracking
- Seismic recording instruments
- Oil & gas industries
- Navigation devices
- Mining equipment
- LBS & M2M applications
- Handheld devices

### Realized gain plot

Measured at 1575 MHz



Maxtena Inc.  
7361 Calhoun Place, Suite 102  
Rockville, MD 20855  
1-877-629-8362  
info@maxtena.com

www.maxtena.com