

Planar Navigation Antenna N25XPO

GPS passive

Without Housing



- **Antenna for instrument assembly**
- **Connectors and cable length on demand**
- **Our products are RoHS- and REACH-conform**
- **Flat design**

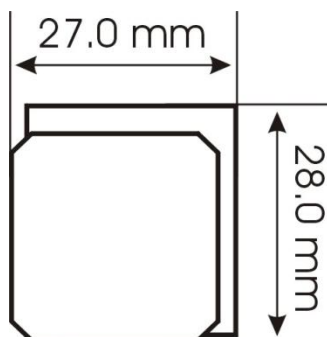
Technical Data

GPS

Frequency	1575.42 MHz
VSWR	1.5 typ.
Peak Gain	0 dBi typ.

Mechanical Data

Dimensions (LxBxH)	ca. 27 mm x 28 mm x 8 mm
Temperature Range	-40°C to +85°C (maximum range)
Connection (Standard)	ca. 3m connecting cable RG174 with GPS/SMA(m) Other cablelengths and connectors see ordering example and connector list in Internet



Ø = 2.7 mm



Ø = 2.7 mm

Typical drawing depending on assembly.

Accreditation

<input type="checkbox"/>	E-Code	e 13 02 1510	high gain (A)
<input type="checkbox"/>	E-Code	e 13 02 1509	low gain (L)
<input type="checkbox"/>	E-Code	e 13 03 6371	low current (V)

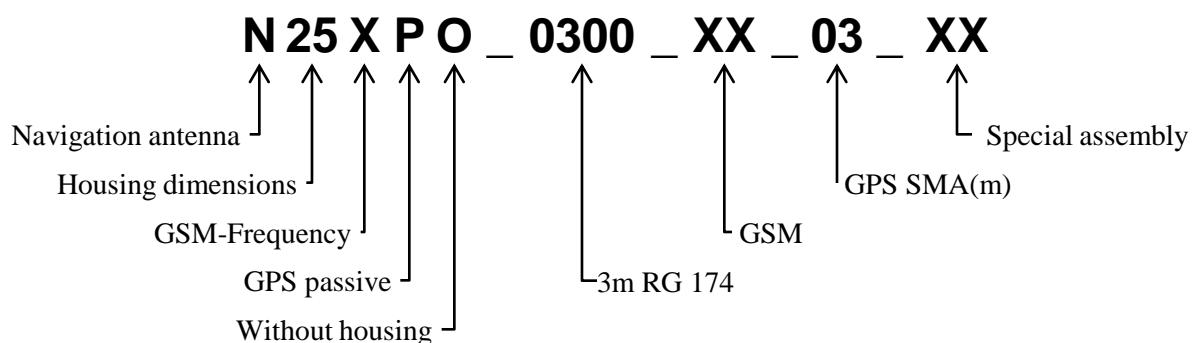
Mounting Instructions

- Mountable with the delivered sticker.
- Don't stick the antenna under +10°C to get an optimal adhesion of the sticker.
- Clean seating nonfat with Isopropanol.
- Remove protection foil from the sticker.

Delivery includes: 4 stickers 6 x 10 x 3,2mm

Important: Before sticking please test the adhesive bonding possibility of the material!

Ordering example



Warranty

The lawful warranty conditions apply.