

Conductive Plastic Tilt Angle Sensor
7450POT Series

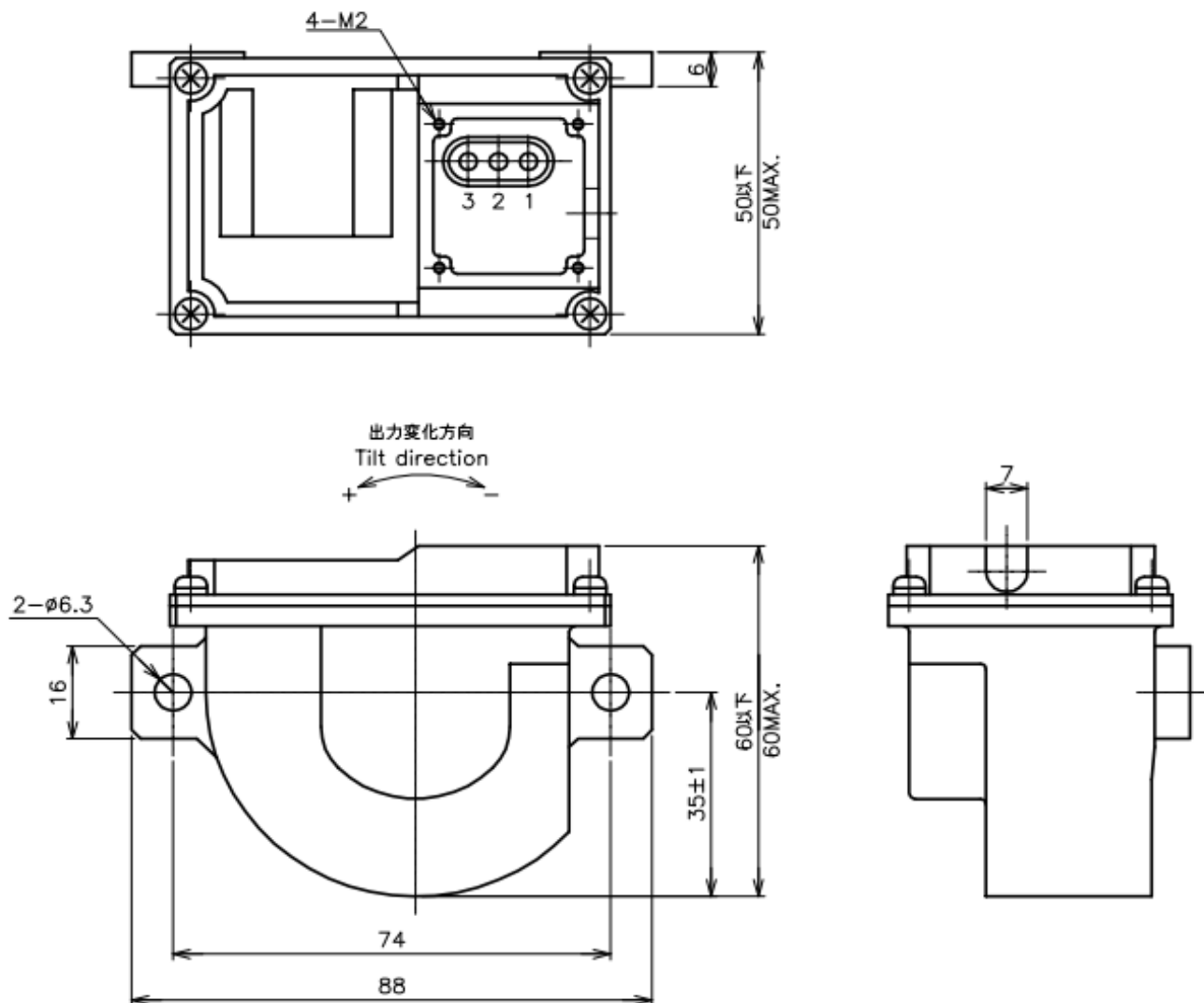


- Conductive Plastic Tilt Angle Sensor
- Single Axis
- Effective Electrical Travel : 85°
- Total Accuracy : ±1%
- Ratio Output

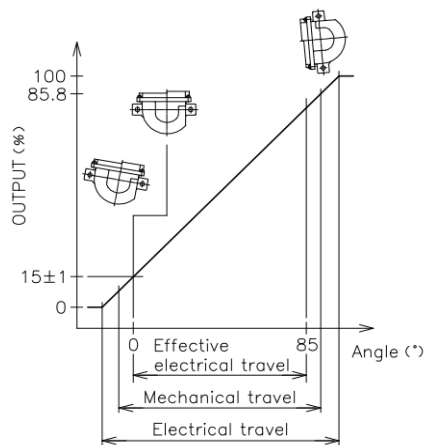
【Materials】

- Housing : Aluminum

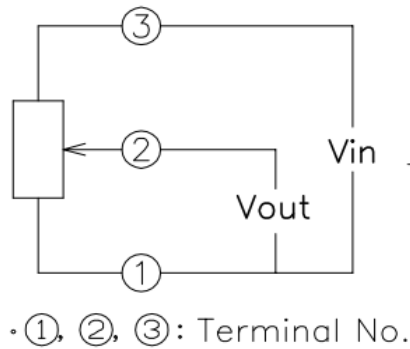
■ Dimension [mm]



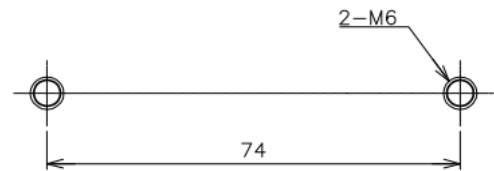
Output Characteristics



Schematic



Mounting



【Model No.】

7450POT

【Electrical Specifications】

Tilt Angle (0° at vertical position)	MIN. 110 CCW side MIN. 95 CW side MIN. 10	°
Total Accuracy	±1.0	%
Response Time	MAX. 1.(Step Response)	Sec.
Built-in Sensor	CP-2F conductive plastic angle sensor	
Effective Electrical Travel	85	°
Total Resistance	500	Ω
Total Resistance Tolerance	±20	%
Rated Dissipation	0.33/50°C	W
Insulation Resistance	MIN. 200 / DC500V	MΩ
Dielectric Strength	AC500 / 1 Minute	V
Mass	280 Approx.	g

【Mechanical Specifications】

Category Temperature Range	-20~+80	°C
Storage Temperature Range	-40~+80	°C
Vibration	50m/s ² 33Hz 3axis 2hours	
Shock	200m/s ² 6directions 3times	
IP Level	IP64	

Accessories

Terminal protection lid: 1pcs
M2 Pan head machine screw: 4 pcs

Handling Instruction

- To avoid burnout of resistive element, do not supply more than 1mA current to terminal 2.
- To reduce sliding noise, add load resistance should be more than 100 times and less than 1000 times of total resistance.
- Slight continuous vibration such as dither might cause short lifetime of the sensor