

Conductive Plastic Linear Sensor

LP-FBS-3 Series

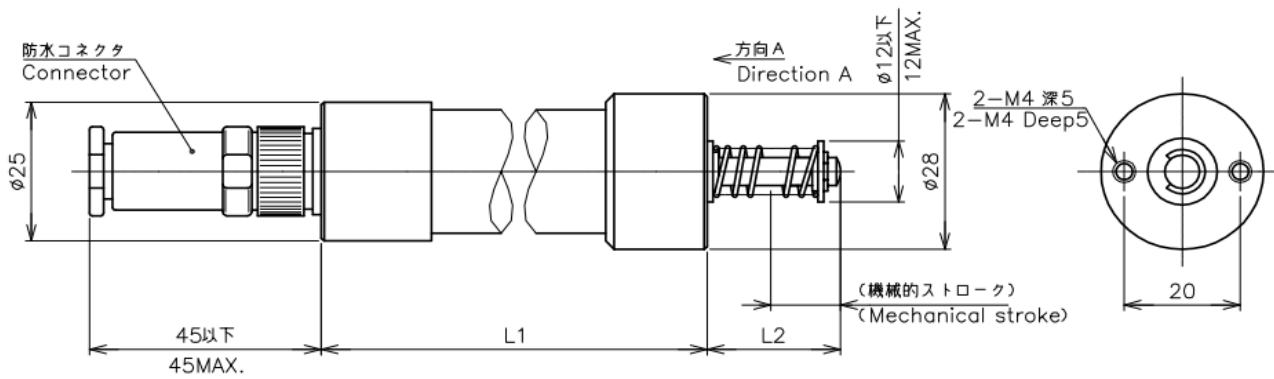


- Conductive Plastic Linear Sensor
- Effective Electrical Travel : 10mm±0.5mm (LP-10FBS-3)
20mm±0.5mm (LP-20FBS-3)
- Independent Linearity : ±1%
- with Back Spring
- Dust and Drip Proof (IP54)

【Material】

- Housing : Aluminum
- Shaft : Stainless Steel
- Bearing : Copper Alloy

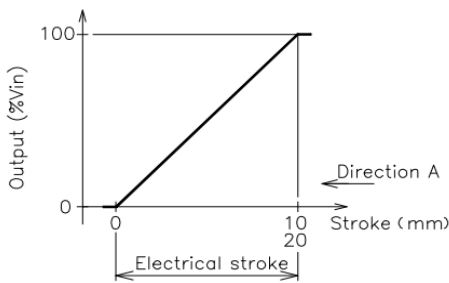
Dimension [mm]



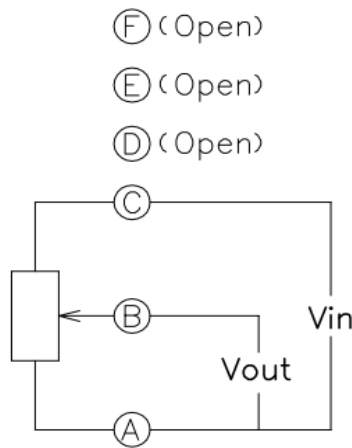
【Model No.】	LP-10FBS-3	LP-20FBS-3
--------------------	-------------------	-------------------

【Housing Length / Mounting】			
Housing Length (L1)	66.5	76.5	mm
Shaft Length L2	23±1	51±1	mm

Output Characteristics

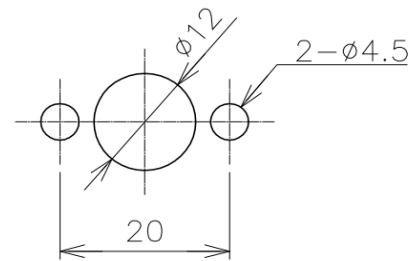


Schematic



• (A), (B), (C), (D), (E), (F)
: Terminal marking

Mounting



【Model No.】	LP-10FBS-3	LP-20FBS-3
--------------------	-------------------	-------------------

【Electrical Specifications】

Effective Electrical Travel	10±0.5	20±0.5	mm
Total Resistance	1	1, 2	kΩ
Total Resistance Tolerance	±20		%
Independent Linearity	±1		%
Rated Dissipation	0.3/70°C	0.6/70°C	W
Output Smoothness	MAX. 0.1		%
Insulation Resistance	MIN. 100 / DC 500V		MΩ
Dielectric Strength	AC500 / 1 Minute		V
Temperature Coefficient of Resistance	±400		ppm/K

【Mechanical Specifications】

Total Mechanical Travel	12±1	22±1	mm
Friction	MAX. 17 (Spring Strength)	MAX. 18 (Spring Strength)	N
Mass	Approx. 80	Approx. 100	g

【Environmental Specifications】

Life Cycles	MIN. 5 Million	Cycle
Category Temperature Range	-25~+80	°C
Storage Temperature Range	-25~+80	°C
Vibration	100m/s ² 500Hz 3 axis 2 hours each	
Shock	500m/s ² 11ms 6 directions 3 times	
IP Level	IP54	

■ Accessories

Connector Plug : TAJIMI R04-P6F(6.3)
Mating Cable DiameterΦ 6.3

■ Handling Instruction

- To avoid burnout of resistive element, do not supply more than 1mA current to terminal B.
- Miswiring may cause burnout of resistive element.
- To reduce sliding noise, add load resistance should be more than 100times and less than 1000times of total resistance.
- Slight continuous vibration such as dither might cause short lifetime of the sensor.
- Do not apply high temperature solder on the terminals.