

Conductive Plastic Linear Sensor

LP-FP Series



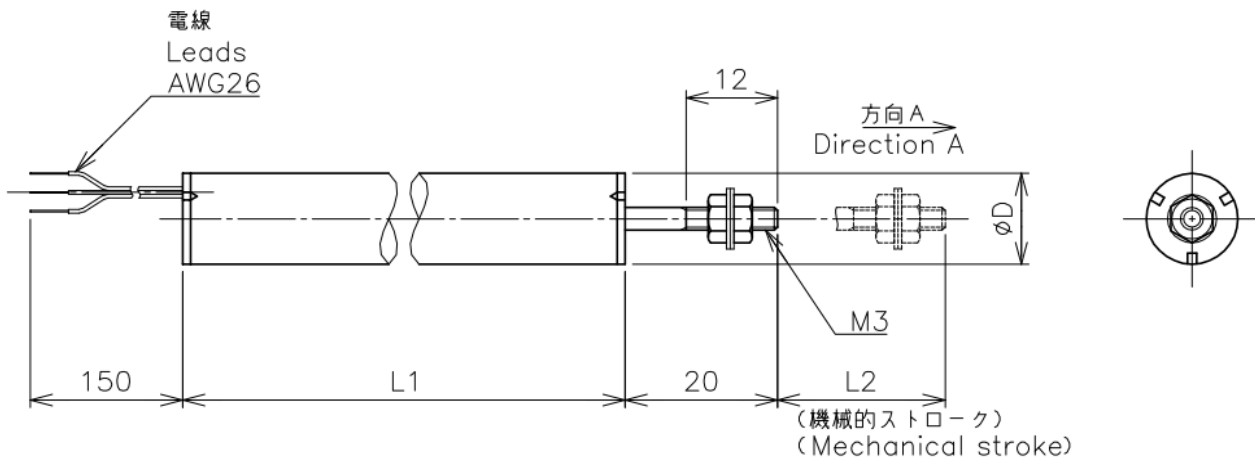
- Conductive Plastic Linear Sensor
- Effective Electrical Travel: 20mm±0.5mm (LP-20FP)
30mm±0.5mm (LP-30FP)
50mm±0.5mm (LP-50FP)

- Independent Linearity :±1%
- Ratio Output

【Material】

- Housing : Aluminum
- Shaft : Stainless Steel
- Bearing : Copper Alloy

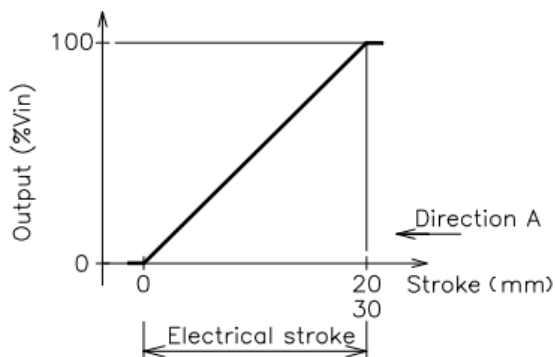
Dimension [mm]



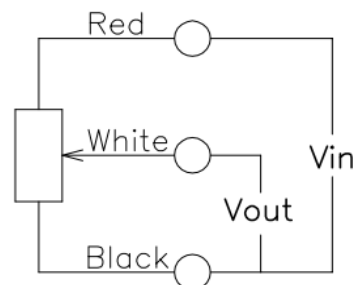
【Model No.】	LP-20FP	LP-30FP	LP-50FP
-------------	---------	---------	---------

【Housing Length】					
Housing Length	L1	48	58	78	mm
	ΦD	Φ 12			mm
Mech. Stroke	L2	22±1	32±1	52±1	mm

Output Characteristics



Schematic



• Red,White,Black indicate lead colors.

【Model No.】	LP-20FP	LP-30FP	LP-50FP
--------------------	----------------	----------------	----------------

【Electrical Specifications】

Effective Electrical Travel	20±0.5	30±0.5	50±0.5	mm
Total Resistance	1			kΩ
Total Resistance Tolerance	±20			%
Independent Linearity	±1			%
Rated Dissipation	0.6/70°C	0.9/70°C	1.5/70°C	W
Output Smoothness	MAX. 0.1			%
Insulation Resistance	MIN. 100 / DC 500V			MΩ
Dielectric Strength	AC500 / 1 Minute			V
Temperature Coefficient of Resistance	±1000			ppm/K

【Mechanical Specifications】

Friction	MAX. 0.4			N
Mass	Approx. 18	Approx. 20	Approx. 25	g

■ Accessories

M3 Nut
Plain washer 2 pieces each

■ Handling Instruction

- To avoid burnout of resistive element, do not supply more than 1mA current to terminal 2.
- Miswiring might cause burnout of resistive element.
- To reduce sliding noise, add load resistance should be more than 100times and less than 1000times of total resistance.
- Slight continuous vibration such as dither might cause short lifetime of the sensor.