

Conductive Plastic Linear Sensor

LP-FX Series

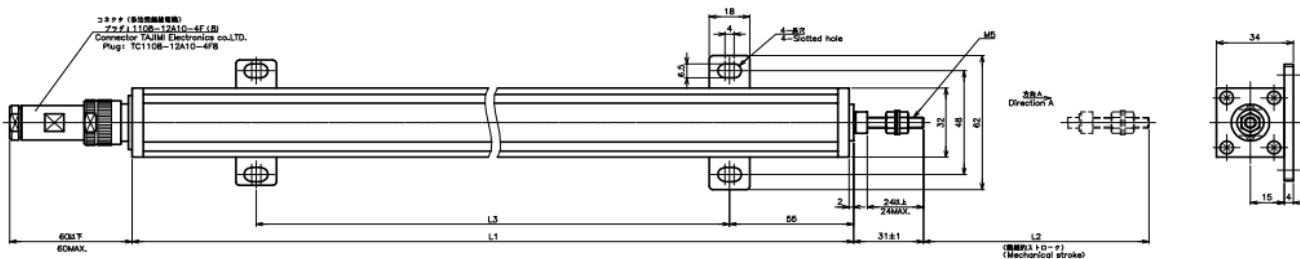


- Conductive Plastic Linear Sensor
- Effective Electrical Travel : 500mm±1mm (LP-500FX)
750mm±1mm (LP-750FX)
- Independent Linearity : ±0.1%

【Material】

- Housing : Aluminum
- Shaft : Stainless Steel
- Bearing : Copper Alloy

Dimension [mm]

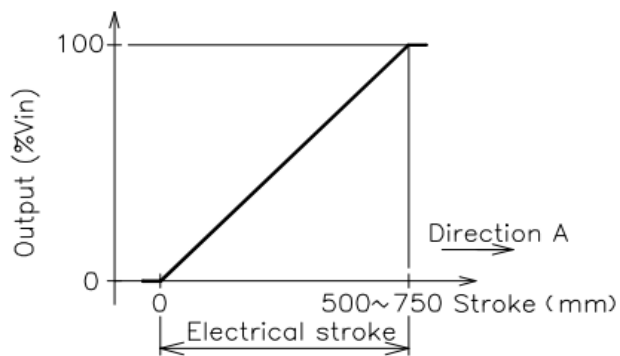


【Model No.】	LP-500FX	LP-750FX
-------------	----------	----------

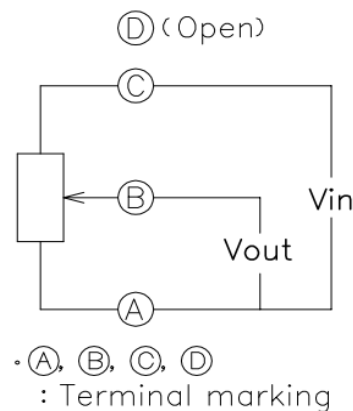
【Housing Length·Mounting】

Housing Length (L1)	570±2	820±2	mm
Mech. Travel (L2)	504±2	754±2	mm
Mounting Foot Pitch (L3)	460±2	710±2	mm

Output Characteristics



Schematic



【Model No.】	LP-500FX	LP-750FX
--------------------	-----------------	-----------------

【Electrical Specifications】

Effective Electrical Travel	500±1	750±1	mm
Total Resistance	10	20	kΩ
Total Resistance Tolerance	±20		%
Independent Linearity	±0.1		%
Rated Dissipation	5	6	W
Output Smoothness	MAX. 0.1		%
Insulation Resistance	MIN. 100 / DC 500V		MΩ
Dielectric Strength	AC500 / 1 Minute		V
Temperature Coefficient of Resistance	±400		ppm/K

【Mechanical Specifications】

Friction	MAX. 4		N
Mass	Approx. 900	Approx. 1200	g

■ Accessories

Plug : TAJIMI TC1108-12A10-4F8(Cable:Φ 8)

M5 Nut

Plain washer 2 pieces each

■ Handling Instruction

- To avoid burnout of resistive element, do not supply more than 1mA current to terminal B.
- Miswiring may cause burnout of resistive element.
- To reduce sliding noise, add load resistance should be more than 100times and less than 1000times of total resistance.
- Slight continuous vibration such as dither might cause short lifetime of the sensor.
- Please instructed water proofing of the connector from connector maker.