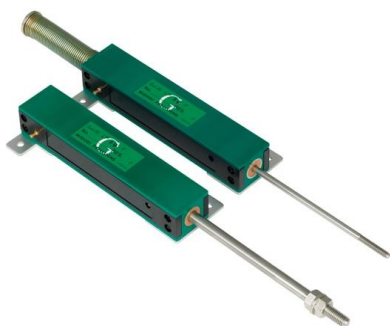


Conductive Plastic Linear Sensor

LP-50F Series



LP-50FB: with Return Spring
LP-50F: without Return Spring

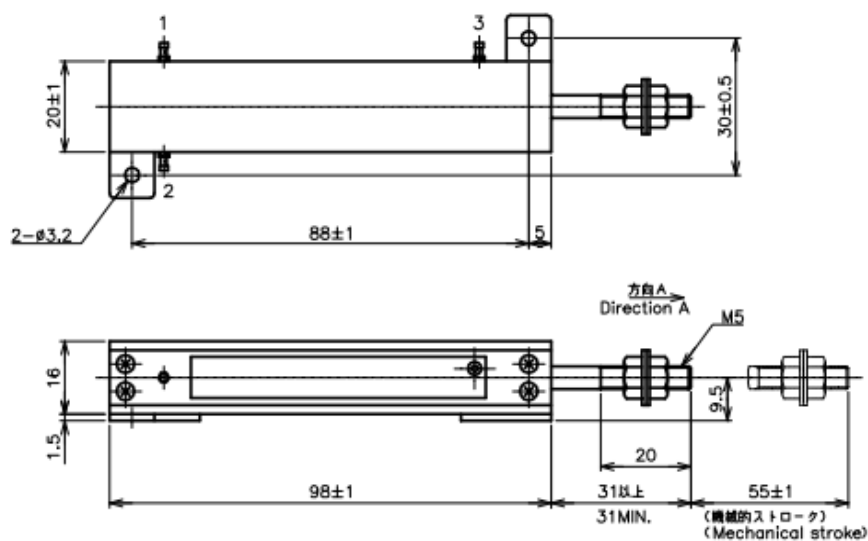
- Conductive Plastic Linear Sensor
- Effective Electrical Travel : 50mm±0.5mm
- Independent Linearity : ±0.5%

【Material】

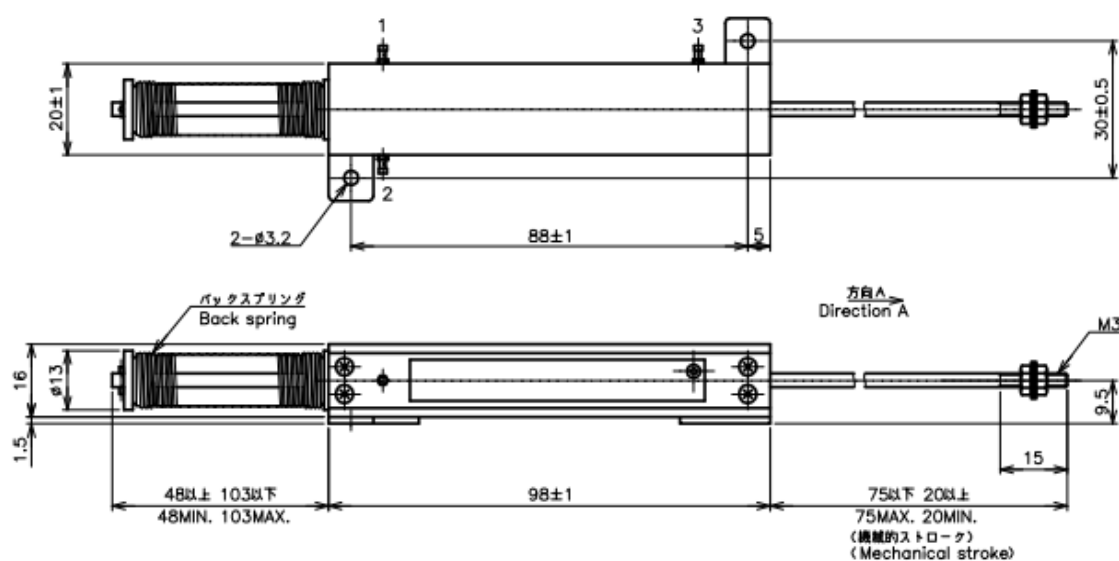
- Housing : Aluminum
- Shaft : Stainless Steel
- Bearing : Copper Alloy

■Dimension [mm]

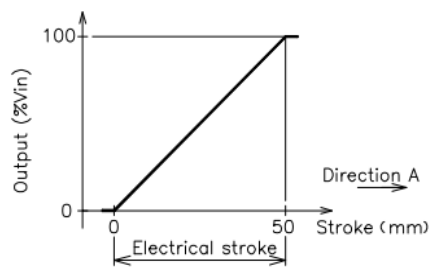
LP-50F



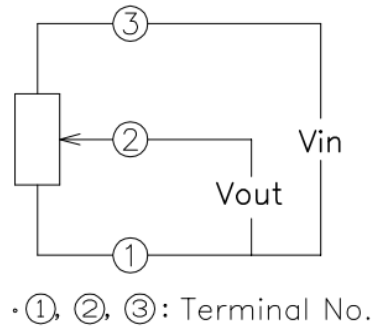
LP-50FB With Return Spring



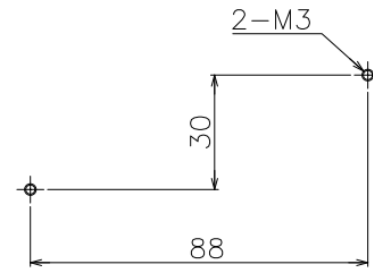
Output Characteristics



Schematic



Mounting



Model No.	LP-50F	LP-50FB
-----------	--------	---------

Electrical Specifications

Effective Electrical Travel	50±0.5	mm
Total Resistance	1, 2, 5	kΩ
Total Resistance Tolerance	±20	%
Independent Linearity	±0.5	%
Rated Dissipation	1.5/70°C	W
Output Smoothness	MAX. 0.1	%
Insulation Resistance	MIN. 100 / DC 500V	MΩ
Dielectric Strength	AC500 / 1 Minute	V
Temperature Coefficient of Resistance	±400	ppm/K

Mechanical Specifications

Total Mechanical Travel	55±1		mm
Friction	MAX. 0.5	MAX. 1.7(Spring Strength)	N
Mass	Approx. 75		g

Environmental Specifications

Life Cycles	MIN. 5 Million	Cycle
Category Temperature Range	-40~+100	°C
Storage Temperature Range	-40~+100	°C
Vibration	100m/s ² 500Hz 3axis 2hours each	
Shock	500m/s ² 11ms 6directions 3times	

Accessories

LP-50F M5 nut
 Plain washer 2 pieces each

LP-50FB M3 nut
 Plain washer 2 pieces each

Handling Instruction

- To avoid burnout of resistive element, do not supply more than 1mA current to terminal 2.
- Miswiring may cause burnout of resistive element.
- To reduce sliding noise, add load resistance should be more than 100times and less than 1000times of total resistance.
- Slight continuous vibration such as dither might cause short lifetime of the sensor.
- Do not apply high temperature solder on the terminals.