

Contactless Hall-IC Tilt Angle Sensor

UV-00H Series

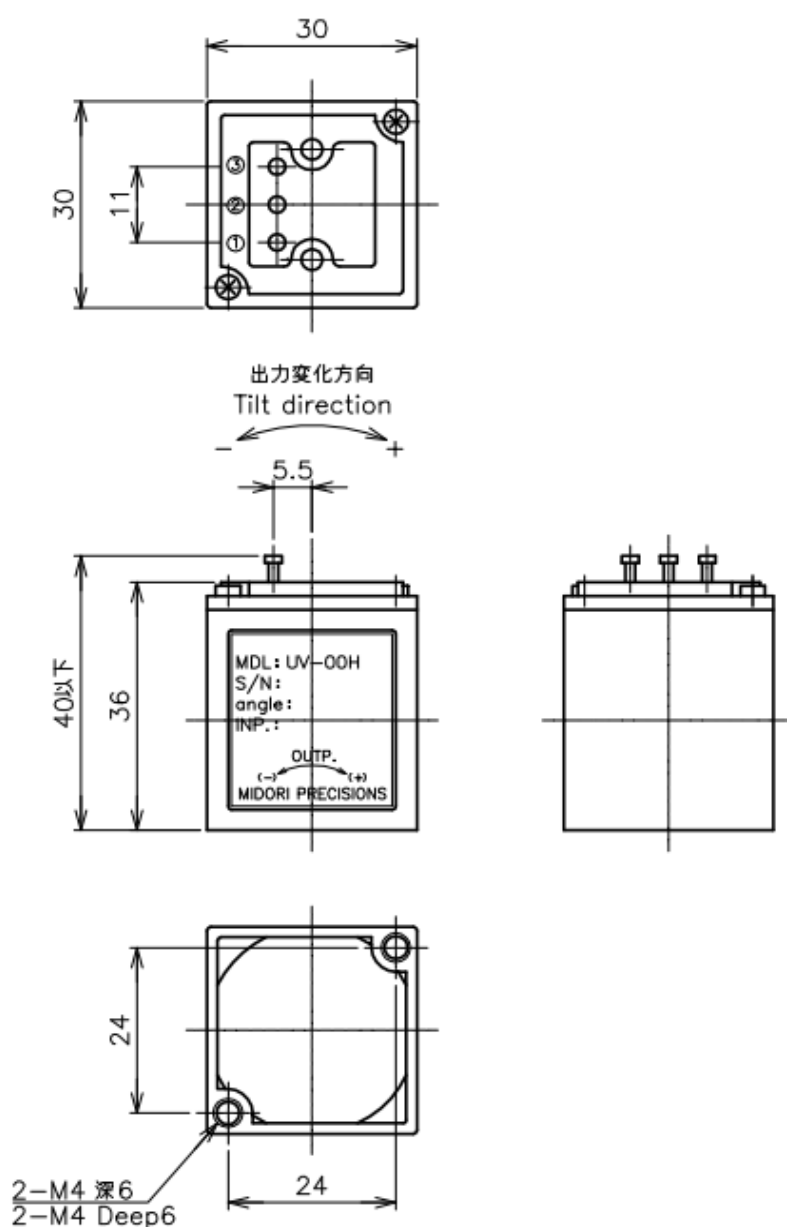
- Single Axis Tilt Angle Sensor
- Effective Electrical Tilt Angle : $\pm 30^\circ$
 $\pm 45^\circ$
 $\pm 60^\circ$ (Standard)

- Center Based Linearity: $\pm 2\%FS$ (Effective Electrical Tilt Angle $\pm 30^\circ$)
 $\pm 4\%FS$ (Effective Electrical Tilt Angle $\pm 45^\circ, \pm 60^\circ$)

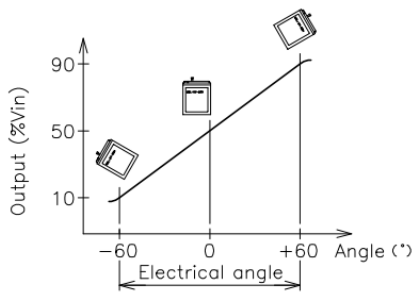
【Material】

- Housing : PBT

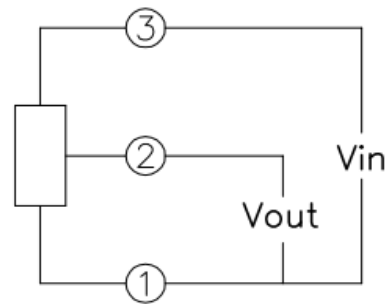
■Dimension [mm]



Output Characteristics

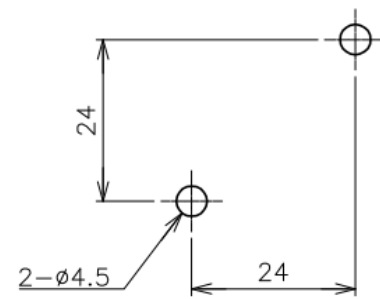


Schematic



• ①, ②, ③: Terminal No.

Mounting



【Model No.】

UV-00H

【Electrical Specifications】

Effective Electrical Tilt Angle	± 30 (60°), ± 45 (90°), ± 60 (120°)	°
Tilt Sensitivity	MAX. 0.4 (Effective Electrical Tilt Angle: $\pm 30^\circ$) MAX. 0.8 (Effective Electrical Tilt Angle: $\pm 45^\circ$, $\pm 60^\circ$)	°
Output Sensitivity	MIN. 0.54	%Vin/°
Index Point	50 \pm 5	%Vin
Center Based Linearity	± 2 (FS=60°) ± 4 (FS=90°, 120°)	%FS
Input Voltage	DC 5 \pm 0.5	V
Load Resistance	MIN. 10	k Ω
Supply Current	MAX. 10	mA
Insulation Resistance	MIN. 100 /DC50	M Ω
Temp. Characteristics -20°C~80°C (Reference Temp. 25°C)	At 0°: $\pm 2^\circ$ At $\pm 60^\circ$: $\pm 6^\circ$	

【Mechanical Specifications】

Response time	(Step Response) Approx. 0.5	Sec.
Total Mechanical Tilt Angle	130	°
Mass	Approx. 35	g

【Environmental Specifications】

Category Temperature Range	-20~80°C	°C
Storage Temperature Range	-20~80°C	°C

Handling Instruction

- Hall-IC sensor is impossible to measure resistance value as a variable resistor.
- This product may be influenced from external magnetic field.
- Use this sensor in the place where is protected from ESD.