

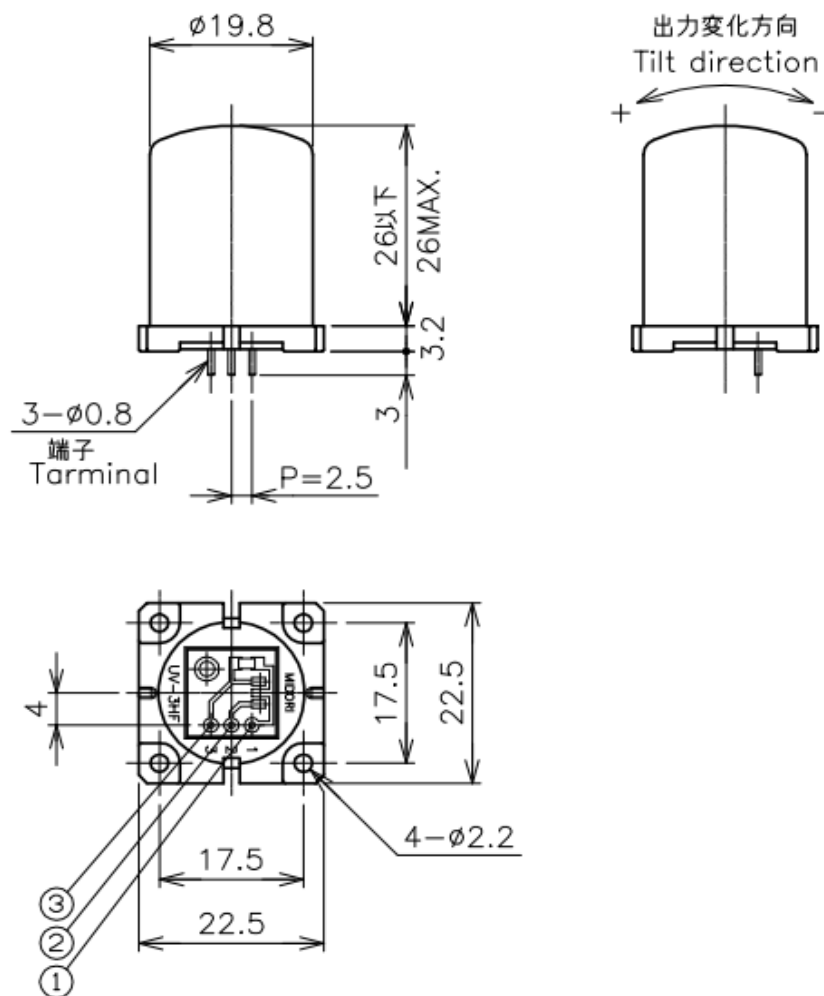
Contactless Hall-IC Tilt Angle Sensor

UV-3HF Series

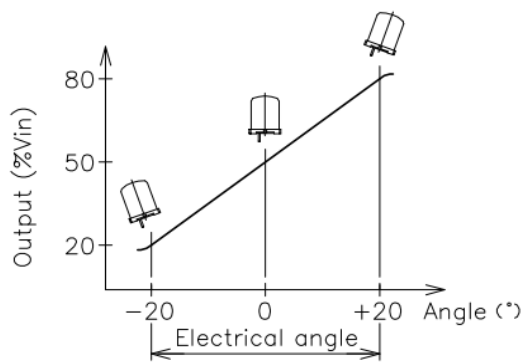
- Single Axis Tilt Angle Sensor
- Effective Electrical Tilt Angle : $\pm 20^\circ$
- Center Based Linearity : $\pm 4\%FS$

【Material】

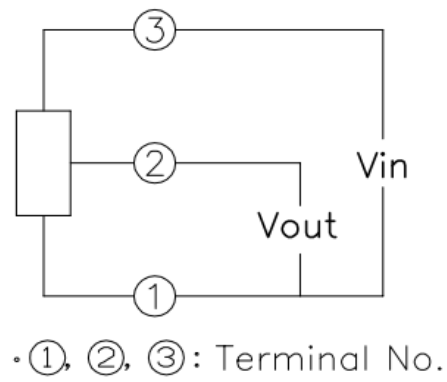
- Housing : PBT
- Cover : Aluminum

Dimension [mm]


Output Characteristics



Schematic



【Model No.】	UV-3HF
--------------------	---------------

【Electrical Specifications】

Effective Electrical Tilt Angle	±20	°
Tilt Sensitivity	MAX. 0.5	°
Output Ratio	20~80	%Vin
Output Sensitivity	MIN. 1.05(~1.75)	%Vin/°
Index Point	50±5	%Vin
Center Based Linearity	±4(FS=40°)	%FS
Input Voltage	DC 5±0.5	V
Load Resistance	MIN. 10	kΩ
Supply Current	MAX. 10	mA
Insulation Resistance	MAX. 100/DC50V	MΩ
Temp. Characteristics -30°C~80°C (Reference Temp. 25°C)	At 0°: 0.5° At ±20°: 1.5°	

【Mechanical Specifications】

Response time	MAX. 1	Sec.
Total Mechanical Tilt Angle	MIN. ±20	°
Mass	Approx. 8	g

【Environmental Specifications】

Category Temperature Range	-30~80	°C
Storage Temperature Range	-30~80	°C

Handling Instruction

- Hall-IC sensor is impossible to measure resistance value as a variable resistor.
- This product may be influenced from external magnetic field.
- Use this sensor in the place where is protected from ESD.