

Contactless Hall-IC Tilt Angle Sensor

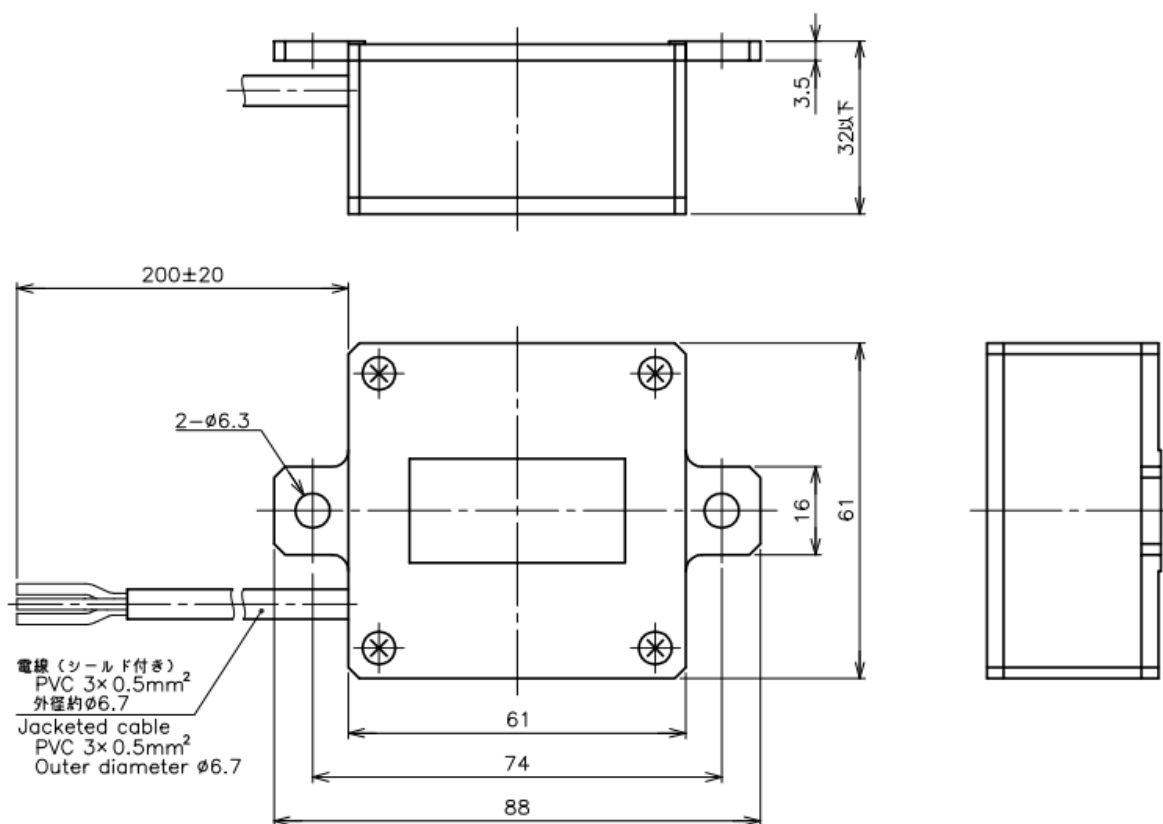
WR-7UH360 Series

- Single Axis Tilt Angle Sensor
- Effective Electrical Tilt Angle : 360°
- Absolute Linearity : $\pm 0.4\%FS$

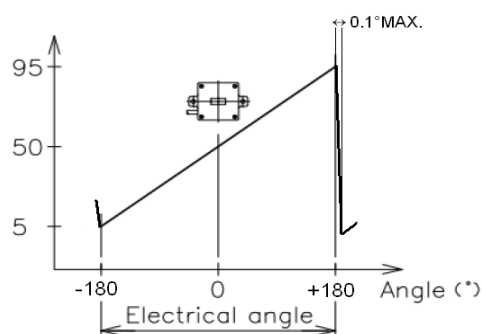
【Material】

- Housing : Aluminum

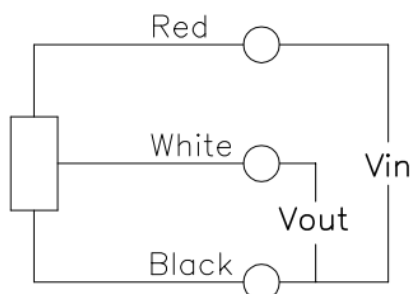
■ Dimension [mm]



■ Output Characteristics

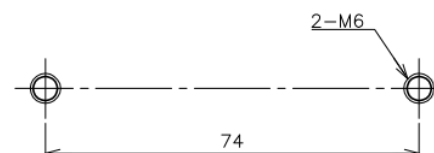


■ Schematic



- Red, White, Black indicate lead colors.

■ Mounting



【Model No.】	WR-7UH
--------------------	--------

【Electrical Specifications】

Effective Electrical Tilt Angle	360	°
Output Ratio	5 - 95	%Vin
Index Point	50±1	%Vin
Absolute Linearity	±0.4	%FS
Tilt Sensitivity	MAX. 1.08 (Including Hysteresis)	°
Input Voltage	DC4.75 - 5.5	V
Load Resistance	MIN. 1	MΩ
Supply Current	MAX. 30	mA
Temp. Characteristics -30°C~80°C (Reference Temp.25°C)	±1.08	°

【Mechanical Specifications】

Response Time	(Step Response) Approx. 0.5	Sec.
Total Mechanical Tilt Angle	360 Endless	°
Mass	Approx. 260	g

【Environmental Specifications】

Operating Temperature Range	-30~+80	°C
Storage Temperature Range	-40~+80	°C
Vibration	50m/s ² 5~500Hz (6 min.) 3 axis 2 hours	
Shock	500m/s ² 11ms 6 directions 3 times	
EMS	100V/m, 200MHz~1GHz	
ESD(Case To Each Terminal)	±8kV (IEC 61000-4-2)	
ESD(Between Each Terminal)	±8kV (IEC 61000-4-2)	
IP Level	IP64	

■ Handling Instruction

- Hall-IC sensor is impossible to measure resistance value as a variable resistor.
- This product may be influenced from external magnetic field.
- Use this sensor in the place where is protected from ESD.