

M1621HCT-P-SMA

IRIDIUM CERTIFIED PASSIVE ANTENNA

Ordering Part #: 100-00003-02

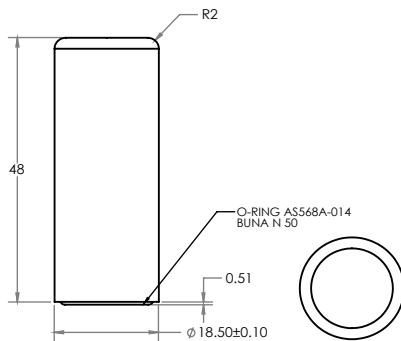


Description

The M1621HCT-P-SMA is a high performance antenna designed for the Iridium network, and built on proprietary Maxtena Helicore® technology. This technology provides exceptional pattern control, polarization purity and high efficiency in a very compact form factor. The M1621HCT-P-SMA is a screw-on design, featuring an integrated SMA connector and is rated IP-67 when mounted for added protection. This product is designed for applications requiring high quality reception of the Iridium network.

Mechanical Specifications

dimensions are in mm



Electrical Specifications

Parameter	Design Specifications
Frequency	1616-1626 MHz
Polarization	RHCP
Antenna element peak gain	2.8 dBic (typical)
Efficiency	60%
Bandwidth (-1dB)	20 MHz
Axial Ratio	0.2 dB (typical) / 0.5 dB (max)
VSWR	1.5 (max)
Impedance	50 Ohm
Operating temp.	from -40°C to 85°C
RF connector	SMA

Features

- Optimized for Iridium network
- Very low axial ratio
- IP-67 mounted
- Ultra light weight - 11 grams
- Ground plane independent

Applications

- Vehicle and fleet tracking
- Military & security
- Asset tracking
- Iridium (SBD) Short Burst Data
- Oil & gas industries
- Navigation devices
- Mining equipment
- LBS & M2M applications
- Handheld devices
- Law enforcement

Realized gain plot

Measured at 1621 MHz

