



## A Tallysman Accutenna® Antenna TW2405/TW2407 Embedded GPS/GLONASS Antenna

The TW2405/TW2407 employs Tallysman's unique Accutenna technology covering the GPS L1, GLONASS L1 and SBAS (WAAS, EGNOS & MSAS) frequency bands (1574 to 1606 MHz). It is especially designed for precision industrial, agricultural and military OEM applications. It provides truly circular response over its entire bandwidth thereby producing superior multipath signal rejection.

The TW2405/TW2407 features a dual-feed wideband patch element, with a two stage Low Noise Amplifier, comprised of one input LNA per feed, a mid section SAW to filter the combined output, and a final output gain stage. This configuration provides excellent axial ratio that is constant across the full frequency band. An optional tight pre-filter is available with part number TW2407 to protect against saturation by high level sub-harmonics and L-Band signals.

The TW2405 /TW2407 comes in a compact circular form factor with a built-in 56 mm diameter ground plane.

Also consider the TW2406 / TW2408 which have a more secure mounting method. The TW2406 / TW2408 is electronically identical to the TW2405 / TW2407. The TW2406 / TW2408 has a larger PCB with drilled holes for more secure mounting. You can view these on the Tallysman website.

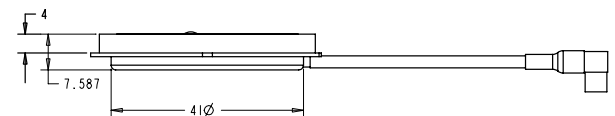
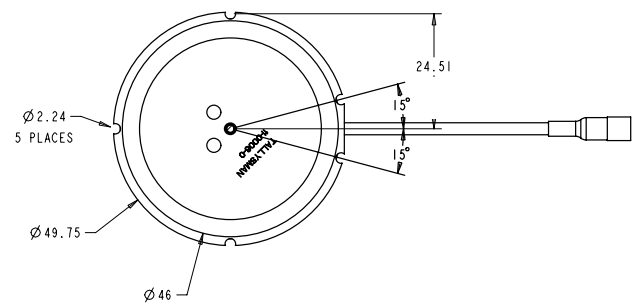
- High Accuracy & Mission Critical GPS
- Precision Agriculture, Mining & Construction
- Military & Security
- Avionics
- Law Enforcement & Public Safety
- Fleet Management & Asset Tracking

### Features

- Great axial ratio:  $\leq 1$  dB typ. 2 dB max.
- Low noise LNA: 1 dB
- High rejection SAW filter
- High gain: 28 dB typ.
- Low current: 10 mA typ.
- ESD circuit protection: 15 KV
- Wide voltage input range: 2.5 to 16 VDC

### Benefits

- Excellent multipath signal rejection
- Increased system accuracy
- Excellent signal reception
- Great out of band signal rejection
- Compact form factor
- RoHS compliant





# TW2405/TW2407 Embedded GPS/GLONASS Antenna

**Specifications:** Vcc = 3V, over full bandwidth, T=25°C

## Antenna

Architecture	Dual, Quadrature Feeds
0.5 dB Bandwidth	31 MHz
Antenna Gain (with 100mm ground plane)	4.25 dBic
Axial Ratio	≤1dB typ. 2 dB max.

## Electrical

Architecture	One LNA per feed line, mid section SAW filter (TW2405) One SAW Filter & LNA per feed line, mid-section SAW filter (TW2407)	
Filtered LNA Frequency Bandwidth	1574 to 1606 MHz	
Polarization	RHCP	
Gain	28 dB min., 1575.42 to 1606 MHz (TW2405) 25 dB min, 1575.42 to 1606 MHz (TW2407)	
Gain flatness	+/- 2 dB, 1575 to 1605 MHz	
Out-of-Band Rejection	<1500 MHz	>32 dB (TW2405) >50dB (TW2407)
	<1550 MHz	>25 dB (TW2405) >50 dB (TW2407)
	>1640 MHz	>35 dB (TW2405) >70 dB (TW2407)
VSWR (at LNA output)	<1.5:1 typ. 1.8:1 max.	
Noise Figure	1 dB typ.(TW2405)	<3.5 dB typ. (TW2407)
Supply Voltage Range (over coaxial cable)	+2.5 to 16 VDC nominal (12 VDC recommended maximum)	
Supply Current	15 mA typ, 25mA Q max (85°C).	
ESD Circuit protection	15 KV air discharge	

## Mechanicals & Environmental

Mechanical Size	49.75 mm dia. x 7.8 mm H
Cable	RG174
Operating Temp. Range	-40 to +85°C
Weight	35 g
Attachment Method	Adhesive or screw mount
Environmental	RoHS compliant
Shock	Vertical axis: 50 G, other axes: 30 G
Vibration	3 axis, sweep = 15 min, 10 to 200 Hz sweep: 3 G

## Ordering Information

TW2405: 33-2405-xx-yyyy-zz

TW2407: 33-2407-xx-yyyy-zz

Where xx = type of connector yyyy = cable length in mm and zz = reserved for Tallysman's use

Please refer to the Ordering Guide (<http://www.tallysman.com/wp-content/uploads/Current-Ordering-Guide.pdf>) for the current and complete list of available connectors.

## Tallysman Wireless Inc

36 Steacie Drive  
Ottawa ON K2K 2A9 Canada  
Tel +1 613 591 3131

Fax 613 591 3121

[sales@tallysman.com](mailto:sales@tallysman.com)

The information provided herein is intended as a guide only and is subject to change without notice. This document is not to be regarded as a guarantee of performance. Tallysman Wireless Inc. hereby disclaims any or all warranties and liabilities of any kind. © 2011 Tallysman Wireless Inc. All rights reserved.

Rev 5.6