

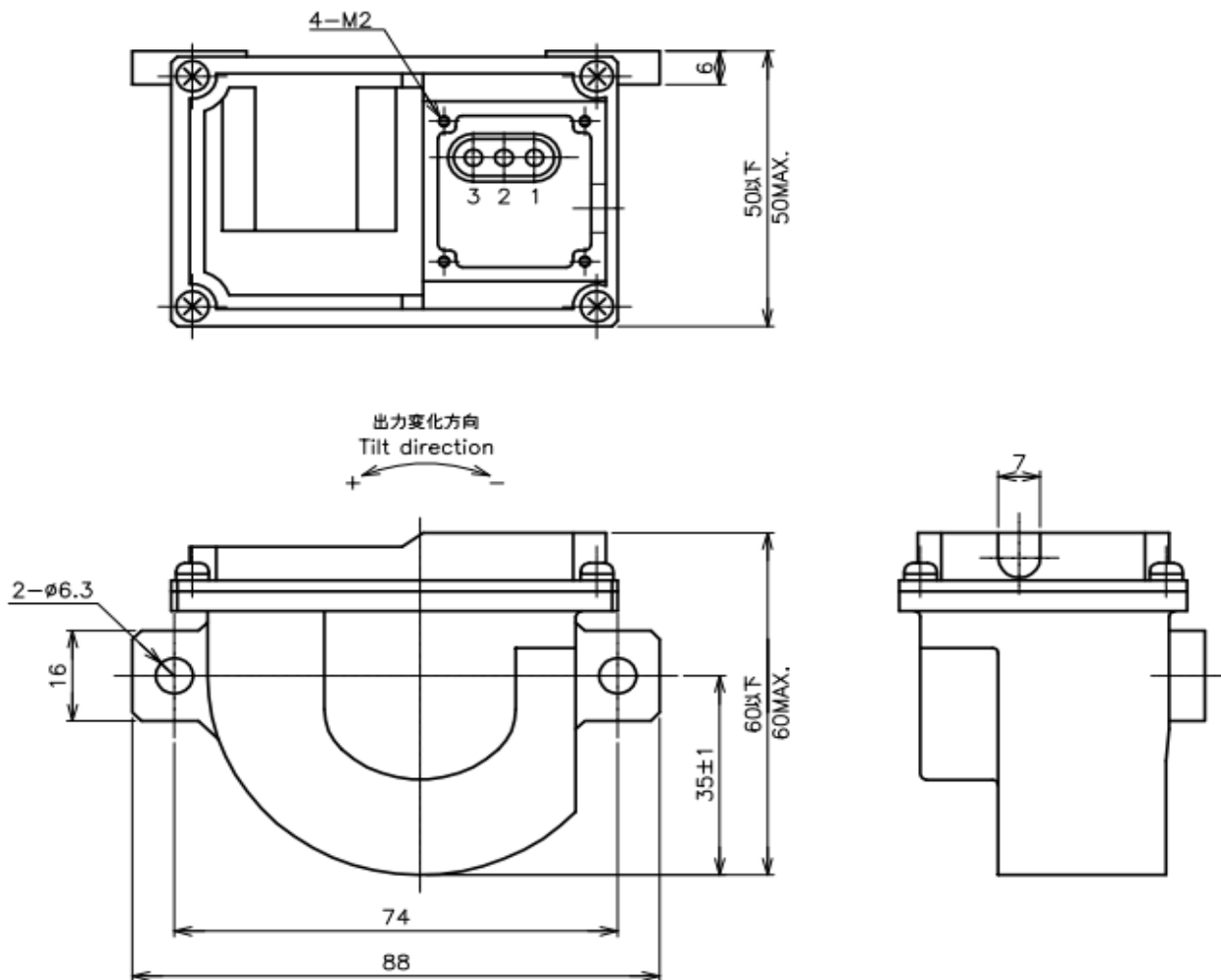
Conductive Tilt Angle Sensor

74 Series - 7450POT

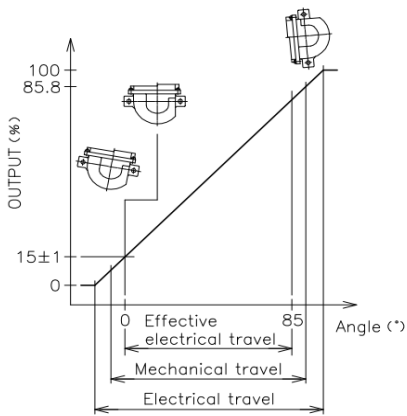
- Conductive Plastic Tilt Angle Sensor
- Effective Electrical Tilt Angle : 110°
- Total Accuracy : $\pm 1\%$
- Ratiometric voltage output
- Single axis
- Pendulum mechanism
- Enclosed Dumper oil for vibration

【Material】

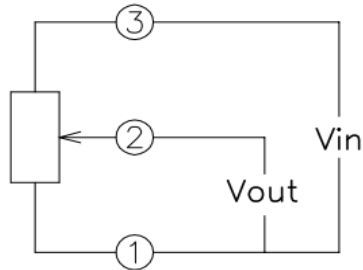
- Housing : Aluminum

Dimension [mm]


Output Characteristics

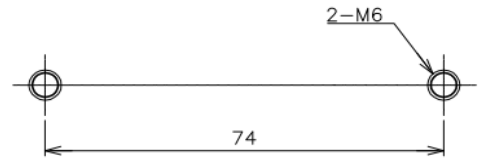


Schematic



①, ②, ③: Terminal No.

Mounting



Model No.	7450POT
------------------	----------------

Electrical Data		
Effective Electrical Tilt Angle	MIN. 110 CCW side MIN. 95 CW side MIN. 10	°
Total Accuracy	±1.0	%
Output Stability	MAX. 1.(Step Response)	Sec.
Integrated Potentiometer	CP-2F	
Electrical Angle	120±1.5	°
Total Resistance	500	Ω
Total Resistance Tolerance	±20	%
Power Rating	0.33(50°C)	W
Insulation Resistance	MIN. 200 / DC500V	MΩ
Dielectric Strength	AC500 / 1Minute	V
Mass	280 Approx.	g

Mechanical Data		
Operating Temperature Range	-20~+80	°C
Storage Temperature Range	-40~+80	°C
Vibration	50m/s ² 33Hz 3axis 2hours	
Shock	200m/s ² 6directions 3times	
IP Level	IP64	

Accessories

Terminal protection lid: 1pcs
M2 Pan head machine

Handling Instruction

- To avoid burnout of resistive element , do not supply more than 1mA current to terminal 2.
- To reduce sliding noise, add load resistance should be more than 100 times and less than 1000 times of total resistance.
- Slight continuous vibration such as dither might cause short lifetime of the sensor