

CP-2F Multi-turn Series - CP-2F-xxS-RB-x



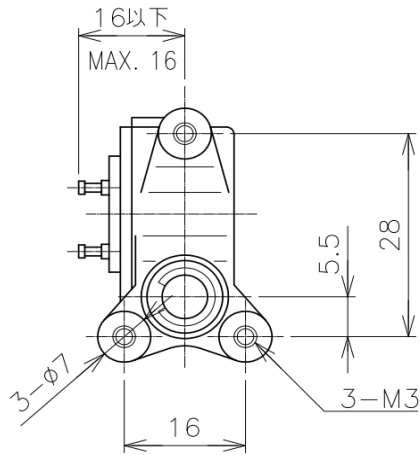
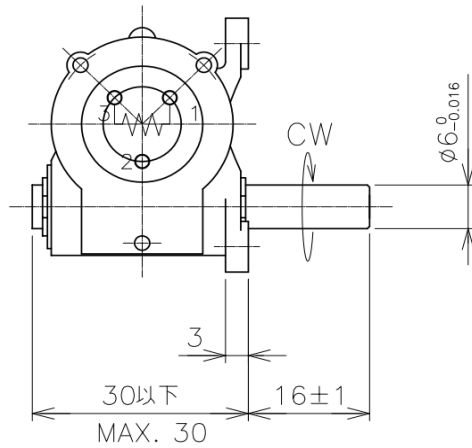
- Conductive Plastic Angle Sensor
- Effective Electrical Travel : 3400°- 17000°
- Independent Linearity : ±1.5%
- Retiometric Voltage Output

【Material】

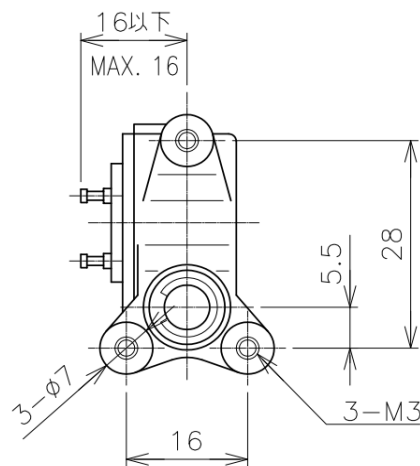
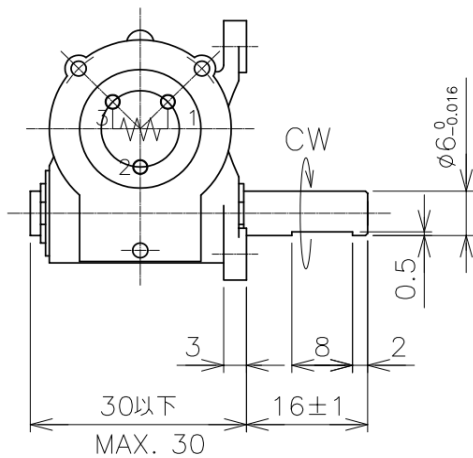
- Housing : Aluminum
- Shaft : Stainless Steel
- Bearing : Stainless steel or Copper alloy

Dimension [mm]

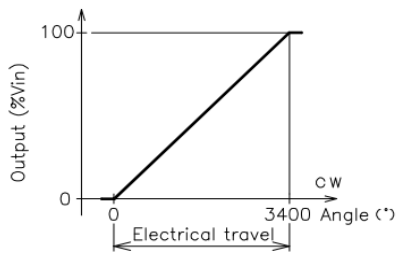
CP-2F-10S-RB



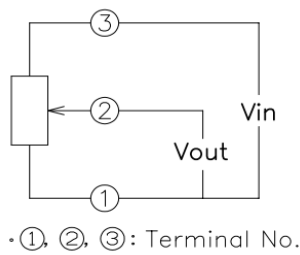
CP-2F-10S-RB-1



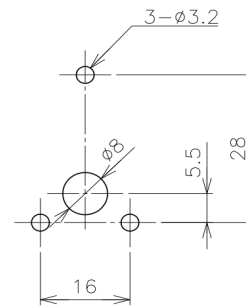
Output Characteristics



Schematic



Mounting



【Model No.】	CP-2F-10S-RB-1	CP-2F-10S-RB	CP-2F-35S-RB	CP-2F-50S-RB
-------------	----------------	--------------	--------------	--------------

【Electrical Data】

	CP-2F-10S-RB-1	CP-2F-10S-RB	CP-2F-35S-RB	CP-2F-50S-RB	
Effective Electrical Travel	3400 +20, -30	3400 +20, -30	11900 +70, -105	17000 +100, -150	°
Total Resistance	1, 2, 5				k Ω
Total Resistance Tolerance	± 20				%
Independent Linearity	± 1.5				%
Power Rating	0.5/50°C				W
Output Smoothness	MAX. 0.1				%
Insulation Resistance	MIN. 100/DC1000V				M Ω
Dielectric Strength	AC1000/1min.				V
Temperature Coefficient Of Resistance	± 400				ppm/K

【Mechanical Data】

	CP-2F-10S-RB-1	CP-2F-10S-RB	CP-2F-35S-RB	CP-2F-50S-RB	
Gear Ratio	10:1	10:1	35:1	50:1	
Torque	MAX. 4				mN·m
Repeatability	MAX. 0.5				%
Thrust Load Tolerance	3				N
Radial Load Tolerance	5				N
Mass	Approx. 30				g

【Environmental Dat.】

Category Temperature Range	-40~+100	°C
Storage Temperature Range	-40~+100	°C

Handling Instruction

To avoid burnout of resistive element, do not supply 1mA Min. current to terminal 2.