

CP-2FABSJ Series



- Conductive Plastic Angle Sensor
- Effective Electrical Travel : 90°
- Independent Linearity : ±3%
- IP65

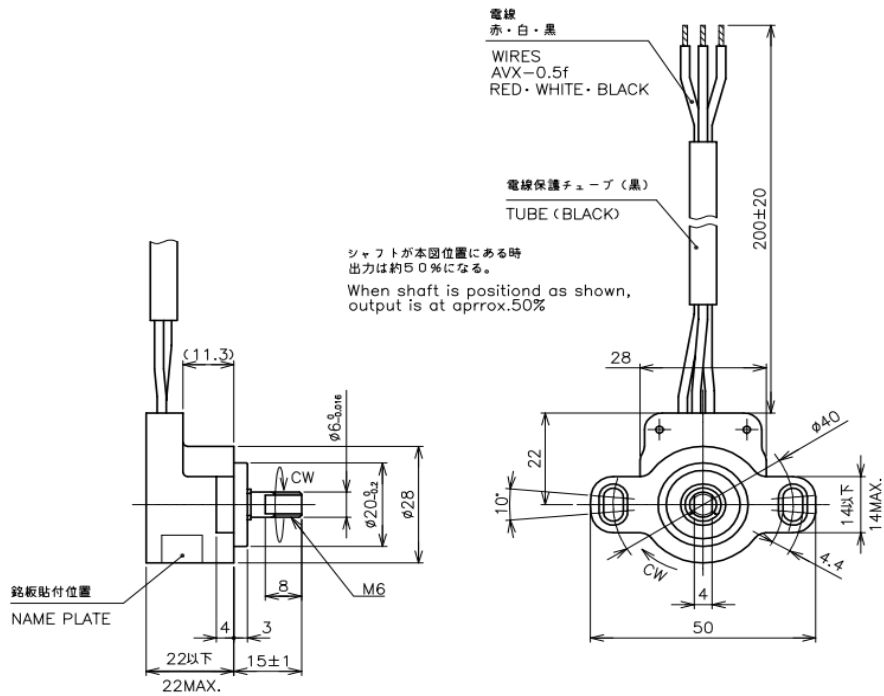
【Options】

- Effective Electrical Angle : 340°
- Effective Electrical Angle : 90°(Dual Output)
- Without return spring

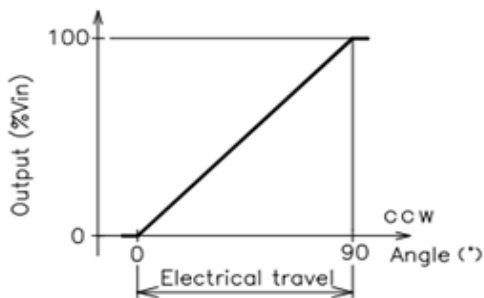
【Material】

- Housing : PBT
- Shaft : Stainless Steel
- Bearing : Copper alloy

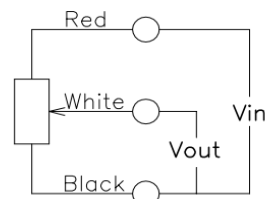
Dimension [mm]



Output Characteristics

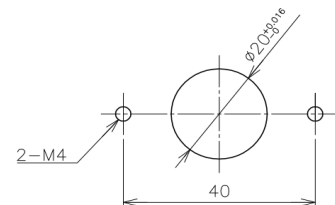


Schematic



• Red, White, Black indicate wire colors.

Mounting



【Model No.】	CP-2FABSJ
--------------------	-----------

【Electrical Data】

Effective Electrical Travel	90 ±3	°
Total Resistance	1	kΩ
Total Resistance Tolerance	±20	%
Independent Linearity	±3	%
Max. Input Voltage	DC18/50°C	W
Insulation Resistance	MIN. 100/DC1000V	MΩ
Dielectric Strength	AC1000/1min.	V
Temperature Coefficient Of Resistance	±400	ppm/K

【Mechanical Data】

Gear Ratio	100 ±5	
Torque	20~100	mN·m
Repeatability	MIN. 1	N·m
Thrust Load Tolerance	3	N
Radial Load Tolerance	4	N
Mass	35 Appx.	g

【Environmental Data】

Life	5 Million	cycle
Category Temperature Range	-40~+100	°C
Storage Temperature Range	-40~+100	°C
Vibration	245m/s ² 20~500Hz 3axis 2hours each	
Shock	500m/s ² 11ms 3axis 6axis 3times	
IP Rating	IP65	

■ Handling Instruction

To avoid burnout of resistive element, do not supply 1mA Min. current to terminal 2.