

CP-2FxxJ Series - CP-2FCB(m)

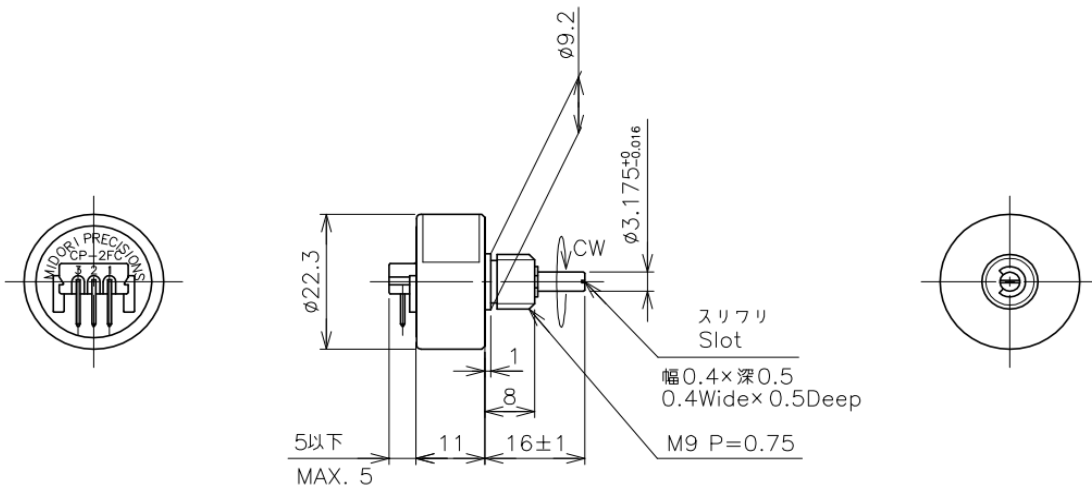


- Conductive Plastic Angle Sensor
- Effective Electrical Travel : 340°
- Independent Linearity : ±1%
- Bushing Mount

【Material】

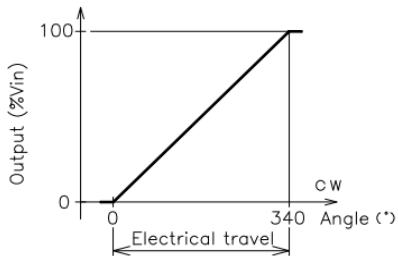
- Housing : Aluminum
- Shaft : Stainless Steel
- Metal Sleeve Bearing : Copper Alloy

Dimension [mm]

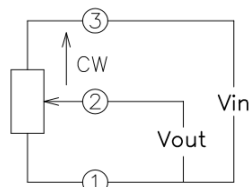


Maching Connector: (Housing) P/N HNC2-2.5S-3, (Contact) P/N HNC-2.5S-D-A: Hirose Electric Co.

Output Characteristics

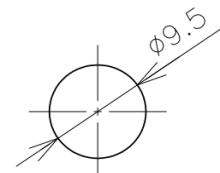


Schematic



• ①, ②, ③: Terminal No.

Mounting



【Model No.】	CP-2FCB(m)
--------------------	------------

【Electrical Data】

Effective Electrical Travel	340 +2、-3	°
Total Resistance	1、5	kΩ
Total Resistance Tolerance	±20	%
Independent Linearity	±1	%
Power Rating	0.5/50°C	W
Output Smoothness	MAX. 0.1	%
Insulation Resistance	MIN. 100/DC1000V	MΩ
Dielectric Strength	AC1000/1min.	V
Temperature Coefficient of Resistance	±1000	ppm/K

【Mechanical Data】

Total Mechanical Travel	360 Endless	°
Torque	MAX. 2	mN·m
Thrust Load Tolerance	2	N
Radial Load Tolerance	5	N
Mass	20 Appx.	g

【Environmental Data】

Life	10 Million	cycle
Category Temperature Range	-40~+100	°C
Storage Temperature Range	-40~+100	°C
Vibration	150m/s ² 2000Hz 3axis 2hours each	
Shock	500m/s ² 11ms 6axis 3times	

■ Mounting Hardware

M9 Nut
Toothed Lock Washer (Internal)
1pcs each

■ Handling Instruction

To avoid burnout of resistive element, do not supply 1mA Min. current to terminal 2.