

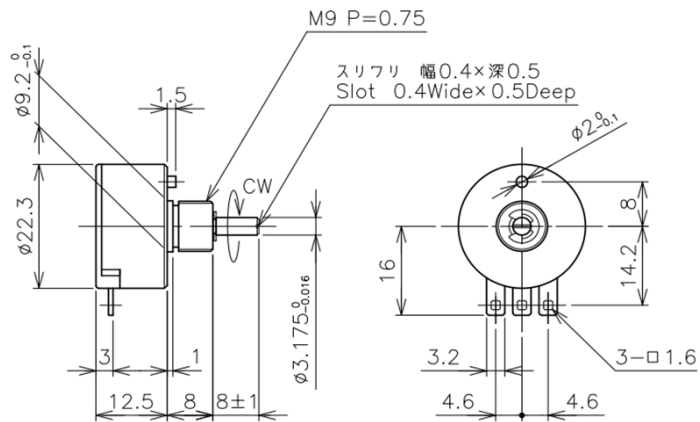
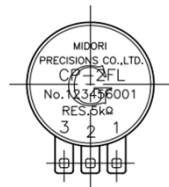
# CP-2FL Series - CP-2FL, CP-2FL-6



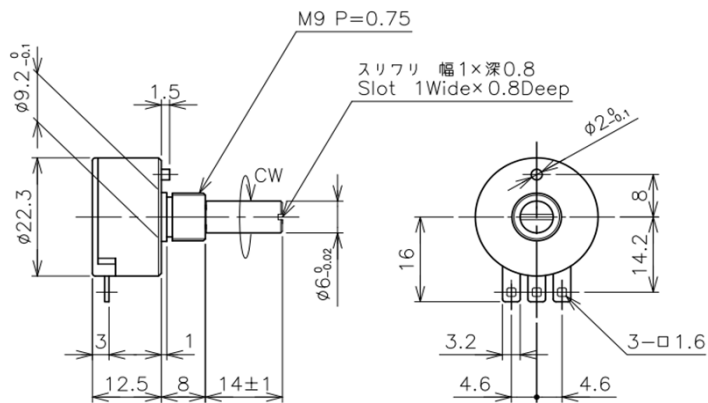
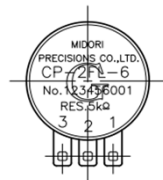
- Conductive Plastic Angle Sensor
- Low Price and Short Delivery Time!
- Effective Electrical Travel : 340°
- Independent Linearity : ±2%
- Ratiometric Voltage Output
- Shaft with Screw-driver slot for Adjustments
- Shaft diameter :  
 CP-2FL  $\phi 3.175\text{mm}$ , CP-2FL-6  $\phi 6\text{mm}$
- Metal Sleeve Bearing : Copper Alloy
- 【Option】
- Independent Linearity : ±1%

## Dimension

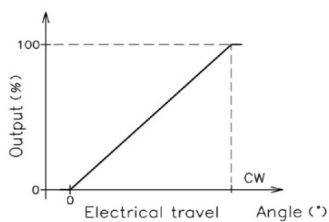
CP-2FL



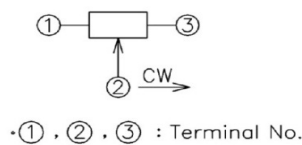
CP-2FL-6



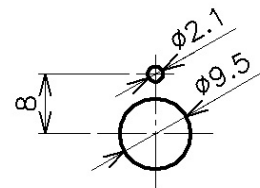
## Output Characteristics



## Schematic



## Mounting



<b>【Model No.】</b>	<b>CP-2FL Series</b>
--------------------	----------------------

**【Electrical Specificataions】**

Effective Electrical Travel	340 +2, -3	°
Total Resistance	1, 5, 10	kΩ
Total Resistance Tolerance	±20	%
Independent Linearity	±2 ( ±1 Optional)	%
Rated Dissipation	0.5/50°C	W
Output Smoothness	MAX. 0.1	%
Insulation Resistance	MIN. 100/DC1000V	MΩ
Dielectric Strength	AC1000/1min.	V
Temp. Coefficient of Resistance	±400	ppm/K

**【Mechanical Specifications】**

Total Mechanical Travel	360 Endless	°
Torque	MAX. 2	mN·m
Thrust Load Tolerance	2	N
Radial Load Tolerance	5	N
Mass	Appx. 20	g

**【Environmental Specifications】**

Life	MIN. 10 Million	Cycle
Category Temperature Range	-40~+100	°C
Storage Temperature Range	-40~+100	°C
Vibration	150m/s <sup>2</sup> 2000Hz 3axis 2hours each	
Shock	500m/s <sup>2</sup> 11ms 6directions 3times each	

**■ Supplied Accessories**

M9 Nut    Toothed Lock Washer (Interna 1piece each)

**■ Handling Instruction**

- Miswiring mau cause burnout of resistive element.
- To avoid burnout of resistive element, do not supply 1mA or more current to terminal 2.
- To reduce sliding noises, load resistance must be as high as possible.
- Slight continuous vibration such as dither might cause short lifetime of the sensor.
- Please read carefully the instructions and directions for use.