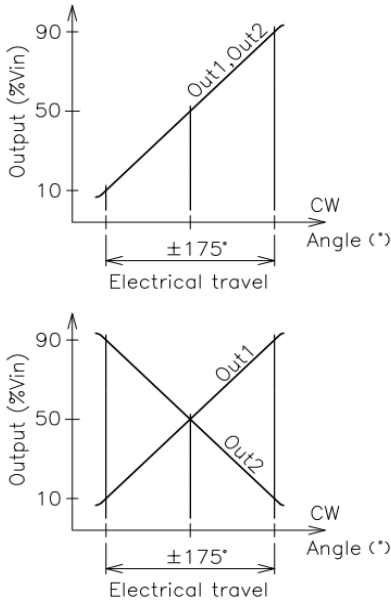
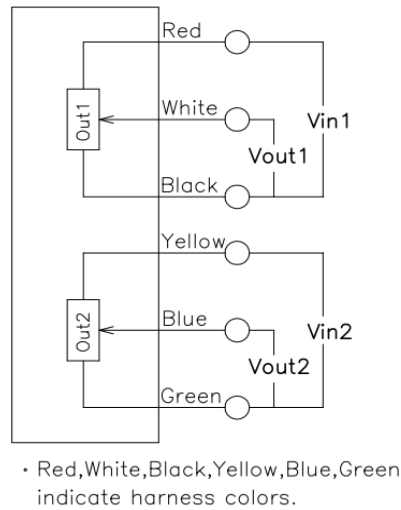




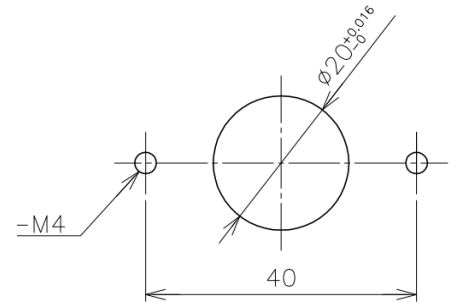
### Output Characteristics



### Schematic



### Mounting



### 【Model No.】

CP-2HA

### 【Electrical Specifications】

Effective Electrical Travel	±175 (Option: ±30~±180)	°
Output Range	10~90	%Vin
Absolute Linearity	±1 (Independent Linearity : ±0.5%)	FS=350° %FS
Input Voltage	DC5±0.5	V
Load Resistance	MIN. 10	kΩ
Supply Current	MAX. 32 (Single Output : MAX.16)	mA
Insulation Resistance	MIN. 100/DC50V	MΩ
Output Resoliton	12 (0~100%Vin)	bit
Hysteresis	MAX. 0.2	%FS
Temp. Characteristics -40~125°C (Reference Temp.25°C)	±2.45	°
2 Output Difference (Parallel Output)	±0.2	%FS

### 【Mechanical Specifications】

Total Mechanical Travel	360	°
Torque	180	mN·m
Thrust Load Tolerance	3	N
Radial Load Tolerance	4	N
Mass	Approx. 30	g

### 【Environmental Specifications】

Life Cycles	10 Million	Cycle
Category Temperature Range	-20~+100	°C
Storage Temperature Range	-20~+100	°C
Vibration	110.7m/s <sup>2</sup> 18~2000Hz(6min)、3axis 8hours	
Shock	294m/s <sup>2</sup> 11ms 3axis 3times	
EMS	100V/m 200MHz ~1GHz	
ESD (Case to Each Terminal)	±6(IEC61000-4-2)	kV
ESD (Between Each Terminal)	±6(IEC61000-4-2)	kV
IP Rating	IP65	

### Options

- Single Output (3 wires)
- Phase Output

### Handling Instruction

- This product may be influenced from external magnetic field.
- Use this sensor in the place where is protected from ESD.