

Contactless Angle Sensor

CP-30H Series

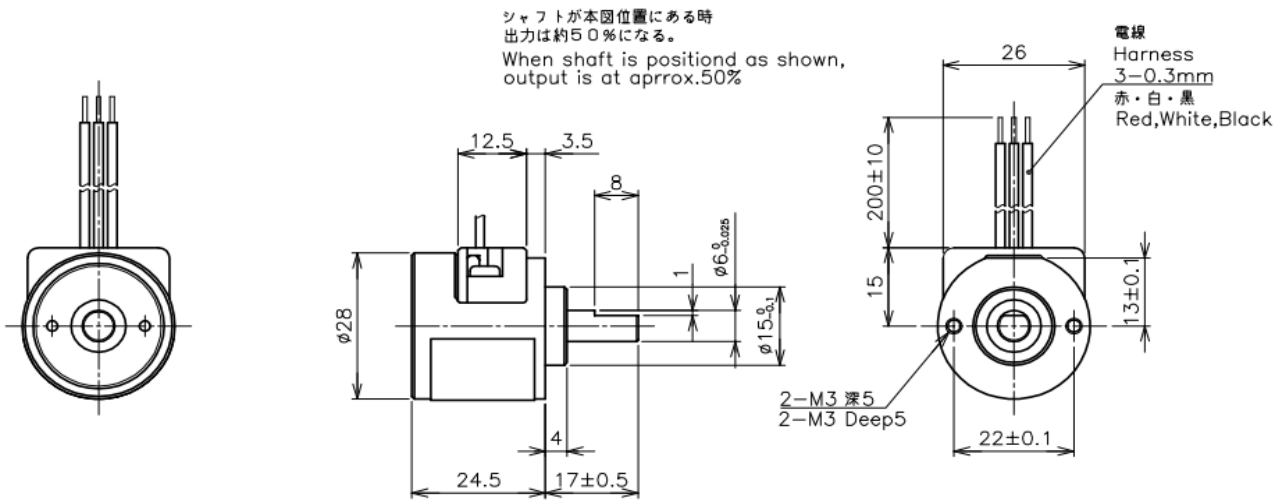


- Contactless Angle Sensor
- Effective Electrical Travel : $\pm 50^\circ$
- Absolute Linearity : $\pm 6\%FS$

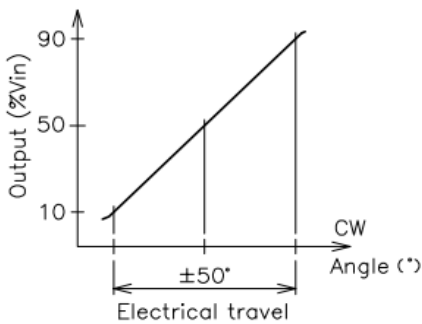
【Material】

- Housing : Aluminum
- Shaft : Stainless Steel
- Bearing : Stainless steel

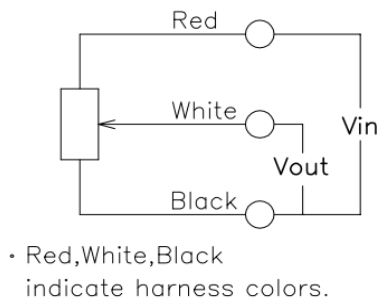
Dimension [mm]



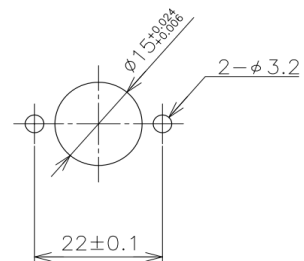
Output Characteristics



Schematic



Mounting



【Model No.】	CP-30H
--------------------	---------------

【Electrical Data】

Effective Electrical Travel	±50	°
Output Range	10~90	%Vin
Absolute Linearity (Independent Linearity)	±6(FS=100°) (±3%FS)	%FS
Input Voltage	DC5±0.5	V
Load Resistance	MIN. 10	kΩ
Supply Current	MAX.10	mA
Insulation Resistance	MIN. 100 /DC50V	MΩ
Temp. Characteristics -40~125°C (Reference Temp.25°C)	At 0°:±1.6° At ±50°:±3.2°	

【Mechanical Data】

Total Mechanical Travel	360 Endless	°
Torque	MAX. 0.3	mN·m
Thrust Load Tolerance	5	N
Radial Load Tolerance	10	N
Mass	50 Approx.	

【Environmental Dat】

Life	±50°,5Hz 10 Million	Cycle
Operating Temp.	-20~+80	°C
Storage Temperature Range	-40~+80	°C
Vibration	100m/s ² 5~500Hz(6min)、 3axis 2hours	
Shock	500m/s ² 11ms 3axis 3times	
EMS	50V/m 80k ~1MHz	
ESD	Each Terminal ±3.5 Case~Each Terminal ±7.5	kV
IP Rating	IP50	

■ Handling Instruction

- This product may be influenced from external magnetic field.
- Use this sensor in the place where is protected from ESD.