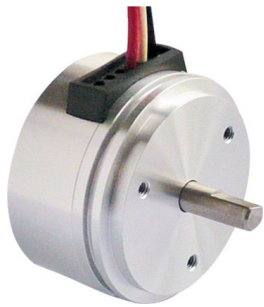


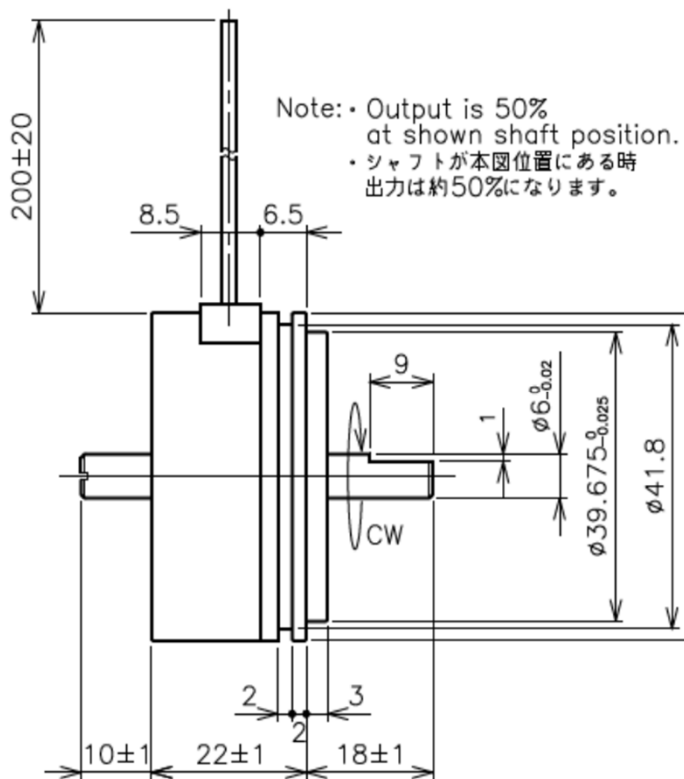
Contactless Hall-IC Angle Sensor

CP-45H Series - CP-45Hx



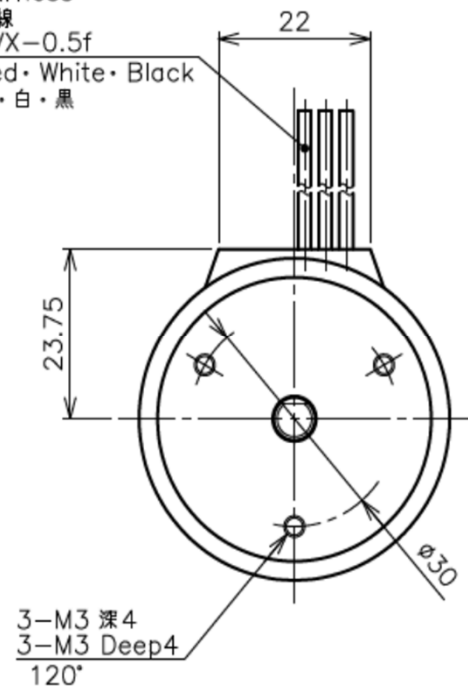
- Contactless Hall-IC Angle Sensor
 - Effective Electrical Travel : $\pm 180^\circ$
 - Absolute Linearity : $\pm 0.4\%$ FS
 - Input Voltage : $DC5 \pm 0.5V$
 - Output Range : $10\% \sim 90\%V_{in}$
 - IP Rating : IP54
 - Output : Dual Output (6 wires, 4 wires)
- 【Option】
- Effective Electrical Travel : $\pm 45^\circ \sim \pm 180^\circ$
 - Inverse output is available by programming.

Dimension [mm]

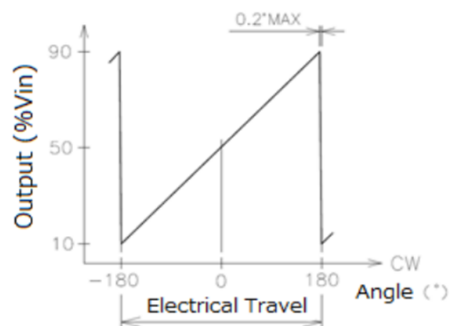


Harness

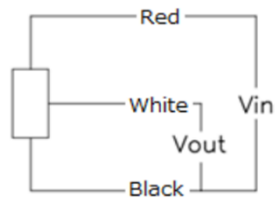
電線
AVX-0.5f
Red・White・Black
赤・白・黒



Output Characteristics

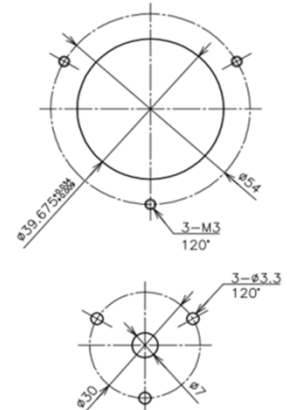


Schematic



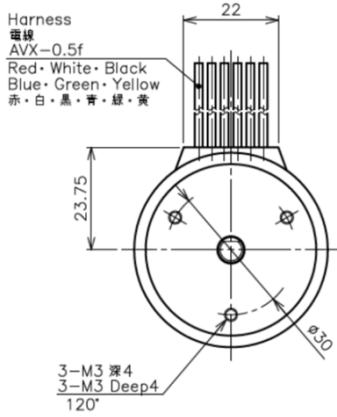
• Red, White, Black: Harness Colors

Mounting

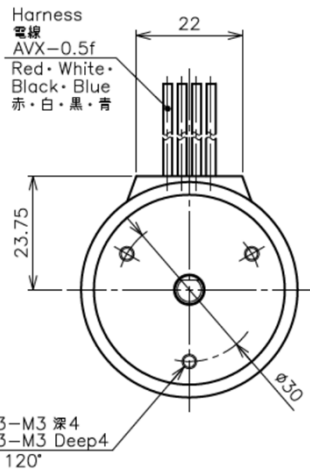


■ Dimension [mm]

Dual Output, 6wires

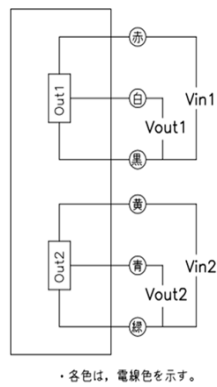


Dual Output, 4wires

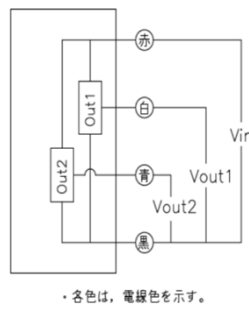


■ Schematic

Dual Output, 6wires

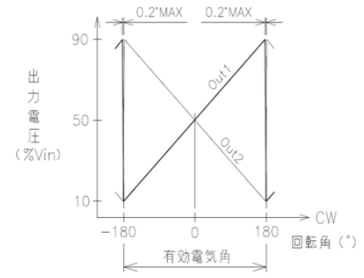


Dual Output, 4wires

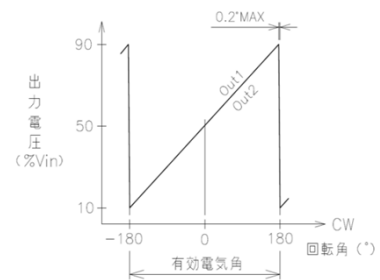


■ Output Characteristics

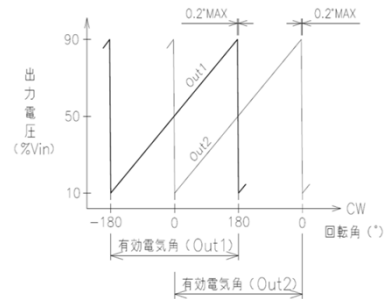
CP-45HC Cross Output



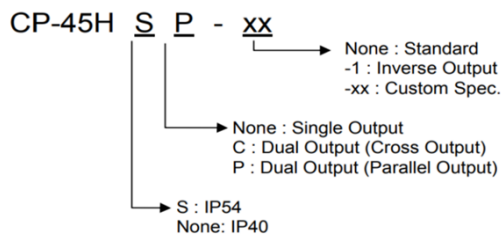
CP-45HP Parallel Output



CP-45HP(180°Phase Output)



■ CP-45H Model Number Designation



【Electrical Specifications】

Model No.	CP-45H	CP-45HS	CP-45HC	CP-45SC	CP-45HP	CP-45HSP	
Effective Electrical Travel	360						°
Output Range	10~90						%Vin
Absolute Linearity	±0.4						%FS
Input Voltage	DC5±0.5						V
Load Resistance	10						kΩ
Supply Current	10 MAX.						mA/1ch
Insulation Resistance	100 MIN /DC50						MΩ
Output Resolution	12 (Shaft Rotational Speed 20rpm MAX.)						bit
Response Time	0.9						ms
Hysteresis	±0.2						%FS
Temp. Characteristics -40~100°C(Ref.Temp.25°C)	±1.08						°
Dual Output Difference	---	100±1.5 (Sum 1,2)			±1.5		%Vin

【Mechanical Specifications】

Model No.	CP-45H	CP-45HS	CP-45HC	CP-45SC	CP-45HP	CP-45HSP	
Total Mechanical Travel	360 endless						°
Torque	1.8	30	1.8	30	1.8	30	mN·m
Thrust Load Tolerance	2						N
Radial Load Tolerance	6						N
Mass	Approx. 100						g

【Environmental Specifications】

Model No.	CP-45H	CP-45HS	CP-45HC	CP-45SC	CP-45HP	CP-45HSP	
Life Cycles	10M (Room Temp. , No Load, CW/ CCW)						Cycle
Category Temp. Range	-40~+100 (No condensation)						°C
Storage Temp. Range	-40~+100 (No condensation)						°C
Vibration	5~500Hz(6 min) 200m/s ² (20G) 3directions 4hours each						
Shock	1000m/s ² (100G) 6directions 3times						
E M S	100V/m 1M~1GHz (ISO 11452)						
ESD (Case to Each Terminal)	±15 MAX. (IEC 61000-4-2)						kV
ESD (Between Each Terminal)	±15 MAX. (IEC 61000-4-2)						kV
IP Level	IP40	IP54	IP40	IP54	IP40	IP54	

■ Handling Instruction

- This product may be influenced from external magnetic field.
- Use this sensor in the place where is protected from ESD.