

Conductive Plastic Wire Extension Type Sensor

CPP-45 LS Series - CPP-45-150, 200LS

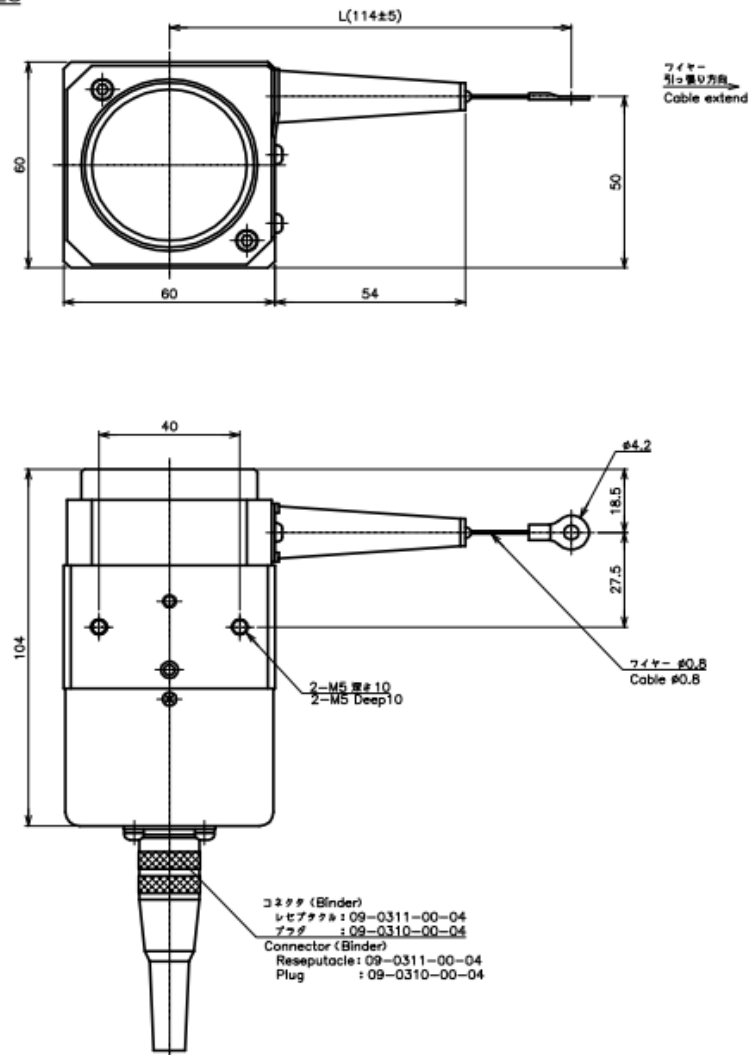


- Wire Extension Type Conductive Plastic Linear Sensor
- Effective Electrical Travel :
 - 1640mm : CPP-45-150LS
 - 2235mm : CPP-45-200LS
- Independent Linearity : $\pm 0.3\%$
- 【Option】
- Independent Linearity : $\pm 0.1\%$
- 【Material】
- Housing : Aluminum
- Wire : Stainless Steel

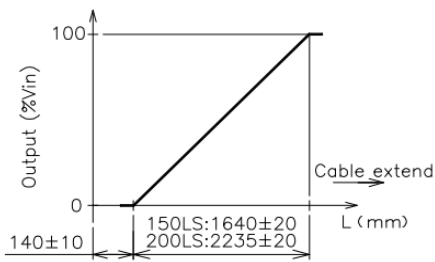
■ Dimension [mm]

CPP-45-150LS

CPP-45-200LS

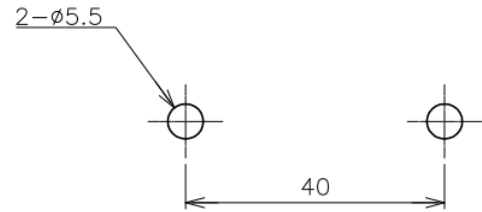
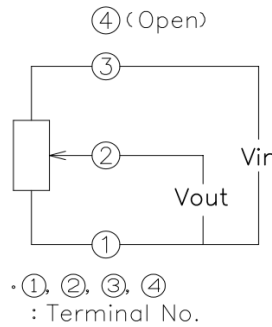


Output Characteristics



Schematic

Schematic



Mounting

【Model No.】	CPP-45-150LS	CPP-45-200LS
-------------	--------------	--------------

【Electrical Data】

Effective Electrical Travel	1640±20	2235±20	mm
Total Resistance	0.5, 1, 2, 5, 10, 20		kΩ
Total Resistance Tolerance	±15		%
Independent Linearity	±0.3		%
Power Rating	3/70°C		W
Output Smoothness	MAX. 0.1		%
Insulation Resistance	MIN. 100 /DC 1000V		MΩ
Dielectric Strength	AC1000 /1 Minute		V
TC of Resistance	±400		ppm/

【Mechanical Data】

Pulling Force	MAX. 8	N
Pursuitability	MAX. 1	m/s
Mass	650 Approx.	g
Backlash	MAX. 0.5	%

【Environmental Dat】

Category Temperature Range	-5~60°C
Storage Temperature Range	-5~60°C

Accessories

Connector Plug: BINDER Parts# 09-0310-00-04
(Mating Cable outer dimension : Φ 8)

Handling Instruction

- To avoid burnout of resistive element, do not supply more than 1mA current to terminal 2.
- Partical bending of cable maigh be caused deformation of cable.