

Conductive Plastic Wire Extension Type Sensor

## CPP-45 LS Series - CPP-45-50LS



- Wire Extension Type Conductive Plastic Linear Sensor
- Effective Electrical Travel : 610mm
- Independent Linearity :  $\pm 0.3\%$

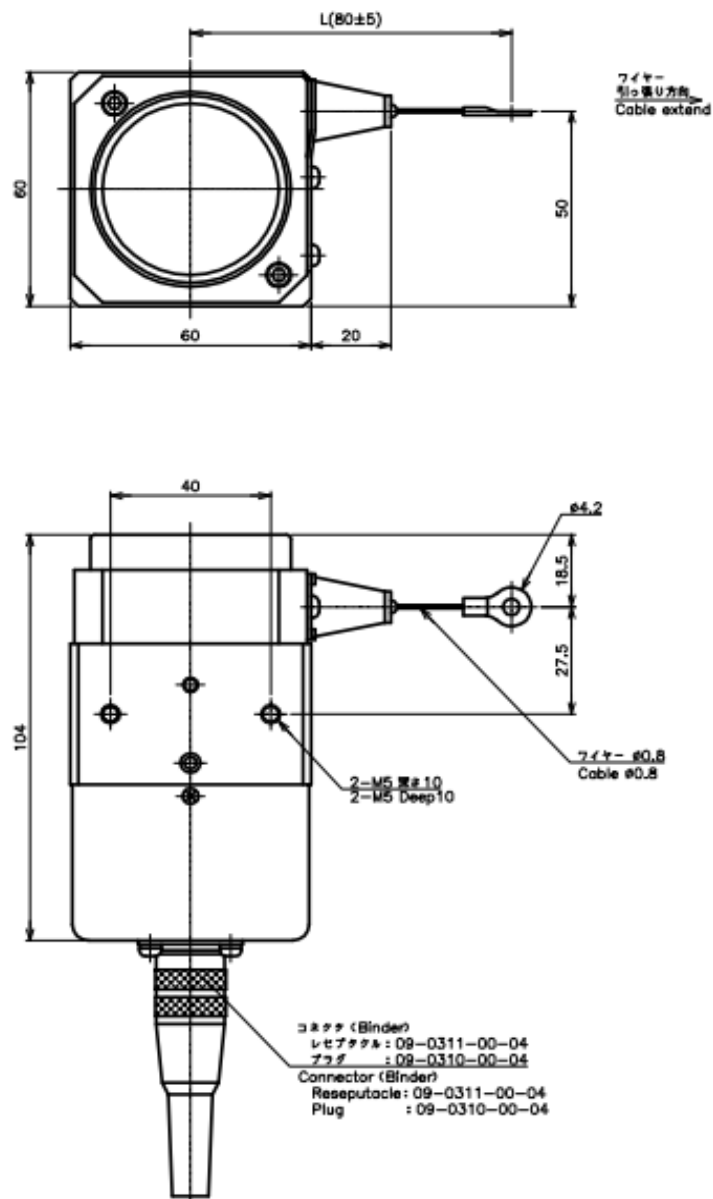
【Option】

- Independent Linearity :  $\pm 0.1\%$

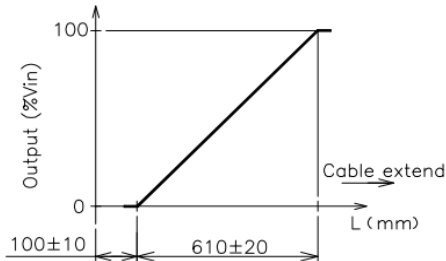
【Material】

- Housing : Aluminum
- Wire : Stainless Steel

### ■Dimension [mm]

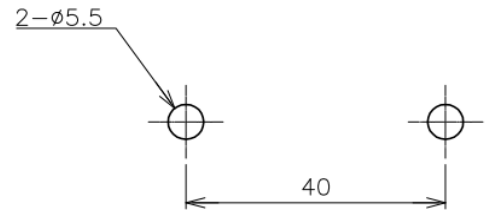
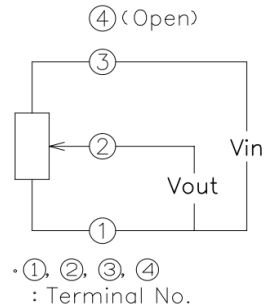


### Output Characteristics



### Schematic

Schematic



### 【Model No.】

CPP-45-50LS

### 【Electrical Data】

Effective Electrical Travel	610	mm
Total Resistance	0.5、1、2、5、10、20	kΩ
Total Resistance Tolerance	±15	%
Independent Linearity	±0.3	%
Power Rating	3/70°C	W
Output Smoothness	MAX. 0.1	%
Insulation Resistance	MIN. 100 / DC 1000V	MΩ
Dielectric Strength	AC1000 / 1Minute	V
TC of Resistance	±400	ppm/K

### 【Mechanical Data】

Pulling Force	MAX. 8	N
Pursuitability	MAX. 1	m/s
Mass	650 Approx.	g
Backlash	MAX. 0.25	%

### 【Environmental Dat】

Category Temperature Range	-5~60°C
Storage Temperature Range	-5~60°C

### Accessories

Connector Plug: BINDER Parts# 09-0310-00-04  
(Mating Cable outer dimension : Φ 8)

### Handling Instruction

- To avoid burnout of resistive element, do not supply more than 1mA current to terminal 2.
- Partial bending of cable may be caused deformation of cable.