

CPP-45 Multi-turn Series - CPP-45-xx-SX

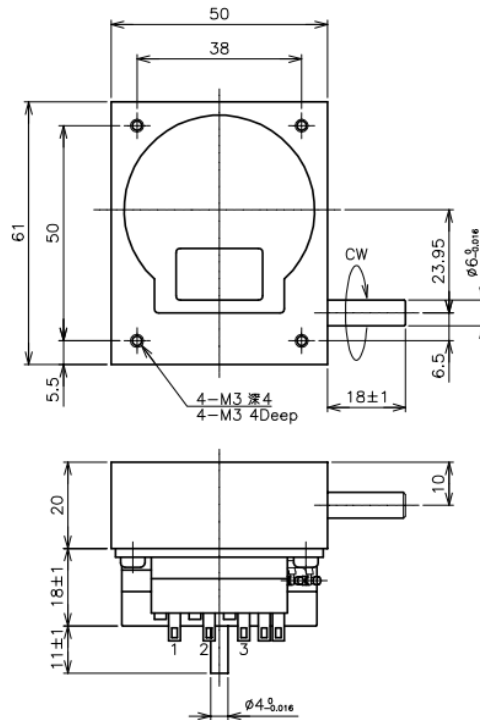


- Conductive Plastic Angle Sensor
- Effective Electrical Travel : 3500°-35000°
- Independent Linearity : ±0.3%
- 【Option】
- Independent Linearity : ±0.1%
- 【Material】
- Housing : Aluminum
- Shaft : Stainless Steel
- Bearing : Stainless steel

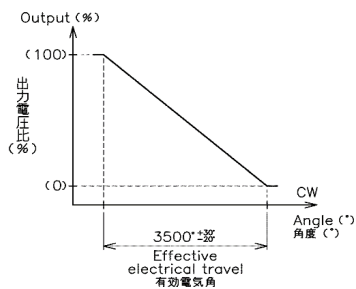
Will be discontinue
in June 2021

■Dimension [mm]

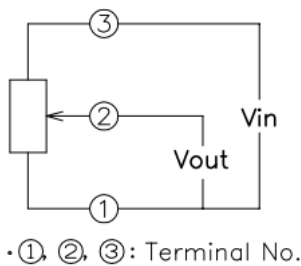
CPP-45-10SX



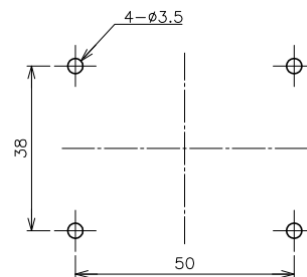
■Output Characteristics



■Schematic



■Mounting



【Model No.】	CPP—45-10SX	CPP—45-24SX	CPP—45-35SX	CPP—45-100SX
-------------	-------------	-------------	-------------	--------------

【Electrical Data】

Effective Electrical Travel	3500 +20、-30	8400 +48、-72	12250 +70、-105	35000 +200、-300	°
Total Resistance	0.5、1、2、5、10、20				kΩ
Total Resistance Tolerance	±15				%
Independent Linearity	±0.3				%
Power Rating	3/70°C				W
Output Smoothness	MAX. 0.1				%
Insulation Resistance	MIN. 100/DC1000V				MΩ
Dielectric Strength	AC1000/1min.				V
Temperature Coefficient Of Resistance	±400				ppm/K

【Mechanical Data】

Gear Ratio	10:1	24:1	35:1	100:1	
Torque	MAX. 4				mN·m
Repeatability	MAX. 0.03(Including Backlash)				%
Thrust Load Tolerance	5				N
Radial Load Tolerance	16				N
Mass	220 Approx.				g

【Environmental Dat】

Category Temperature Range	-40~+120	°C
Storage Temperature Range	-40~+120	°C

■ Handling Instruction

- To avoid burnout of resistive element, do not supply more than 1mA current to terminal 2.