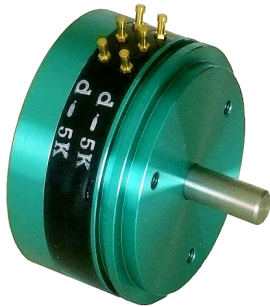


# CPP-45 Series - CPP-45B×2

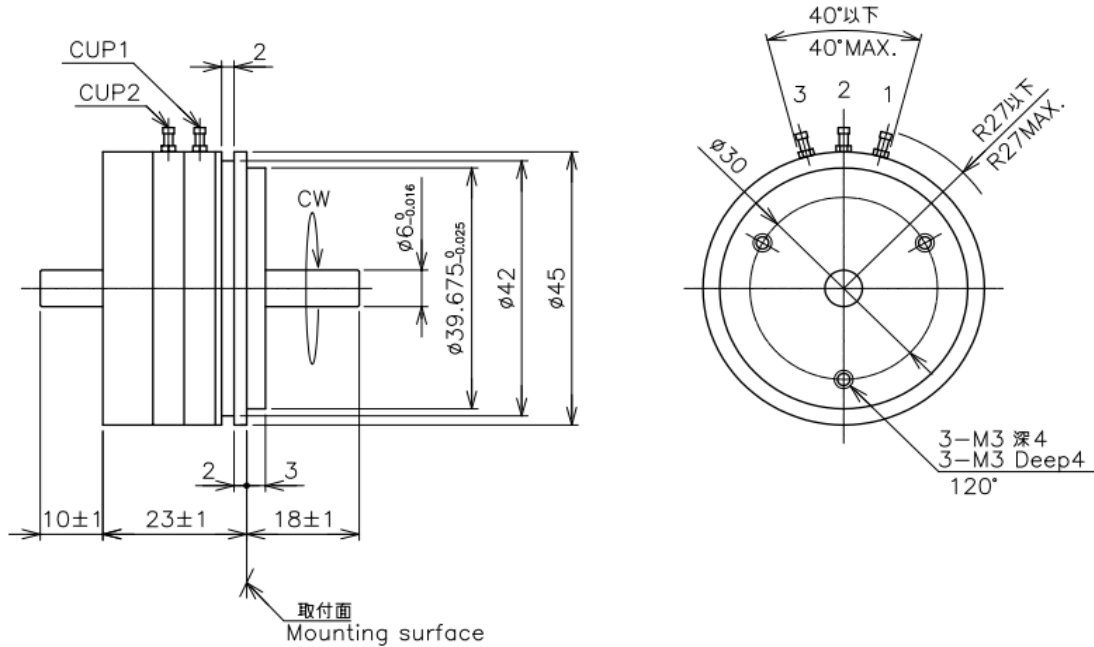
Will be discontinued  
in June 2021



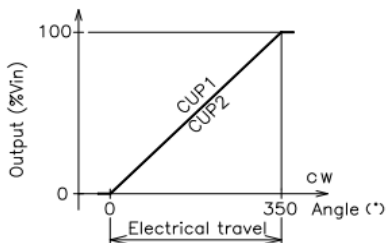
- Conductive Plastic Angle Sensor (Dual Output)
- Effective Electrical Travel : 350°
- Independent Linearity : ±0.3%
- Servo Mount and Screw Mount
- 【Options】
- Independent Linearity : ±0.1%
- Multi Ganging : More than 4 sections, please contact us.
- Additional Taps : Up to 8 taps
  - For Output : Type (A) ... No shorted angle
  - For Input : Type (B) ... 1~5° shorted on Tap
- Additional Center Tap :
  - C.T(A) ... No shorted angle
  - C.T(B) ... Shorted on Tap (Shorted angle 1~5°)

- 【Material】
- Housing : Aluminum
  - Shaft : Stainless Steel
  - Bearing : Stainless steel

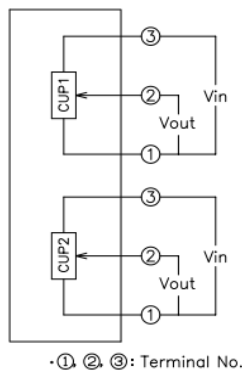
## Dimension [mm]



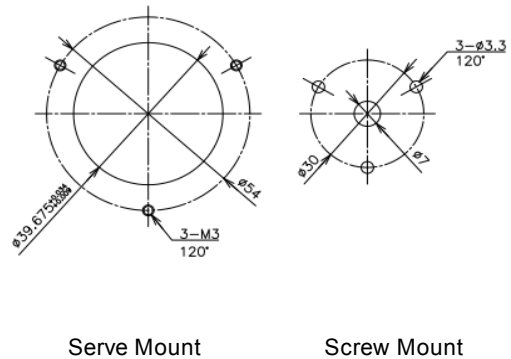
## Output Characteristics



## Schematic



## Mounting



<b>【Model No.】</b>	CPP—45B×2
--------------------	-----------

**【Electrical Data】**

Effective Electrical Travel	350 +2、-3(CUP1·2)	°
Total Resistance	0.5、1、2、5、10、20(CUP1·2)	kΩ
Total Resistance Tolerance	±15(CUP1·2)	%
Independent Linearity	±0.3(CUP1·2)	%
Power Rating	1.8/70°C	W
Output Smoothness	MAX. 0.1(CUP1·2)	%
Insulation Resistance	MIN. 100/DC1000V	MΩ
Dielectric Strength	AC1000/1min.	V
Temperature Coefficient Of Resistance	±400	ppm/K

**【Mechanical Data】**

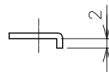
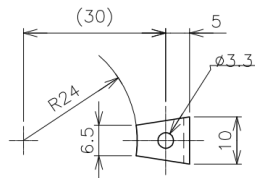
Total Mechanical Travel	360 Endless	°
Torque	MAX. 3.3	mN·m
Thrust Load Tolerance	2	N
Radial Load Tolerance	6	N
Mass	70 Approx.	g

**【Environmental Dat.】**

Life	10 Million	cycle
Category Temperature Range	-40~+120	°C
Storage Temperature Range	-40~+120	°C
Vibration	150m/s <sup>2</sup> 2000Hz 3axis 2hours each	
Shock	500m/s <sup>2</sup> 11ms 6axis 3times	

**■ Accessories**

Mounting Cleats : 3 pieces



t=1.2

**■ Handling Instruction**

· To avoid burnout of resistive element, do not supply more than 1mA current to terminal 2.