

CPP-45 Series - CPP-45RBN

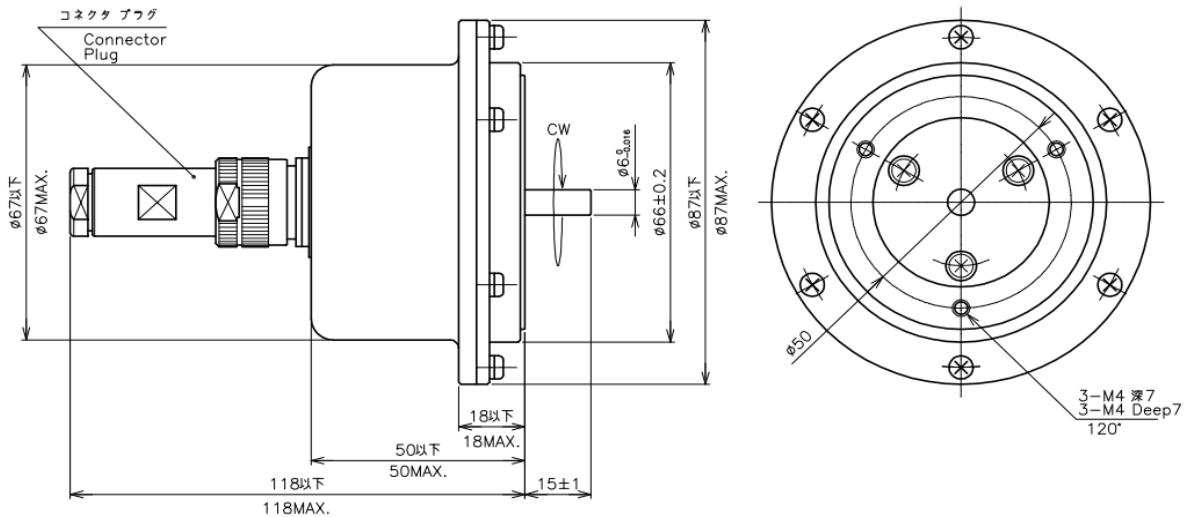
Will be discontinued
in June 2021



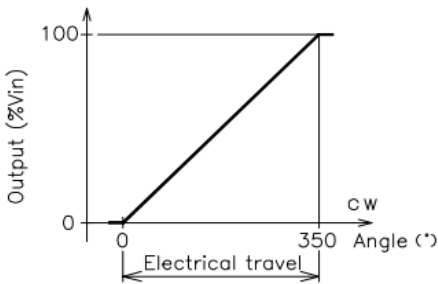
- Conductive Plastic Angle Sensor
- Effective Electrical Travel : 350°
- Independent Linearity : ±0.3%
- Screw Mount
- IP54
- 【Options】
- Independent Linearity : ±0.1%
- Additional Center Tap :
 - C.T(A) ... No shorted angle
 - C.T(B) ... Shorted on Tap (Shorted angle 1~5°)
- 【Material】
- Housing : Aluminum
- Shaft : Stainless Steel
- Bearing : Stainless steel

Dimension [mm]

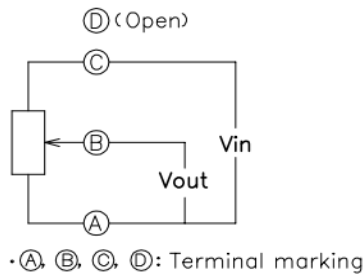
CPP-45RBN



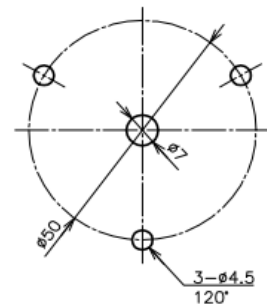
Output Characteristics



Schematic



Mounting



Screw Mount

【Model No.】	CPP-45RBN
--------------------	-----------

【Electrical Data】

Effective Electrical Travel	350 +2, -3	°
Total Resistance	0.5, 1, 2, 5, 10, 20	kΩ
Total Resistance Tolerance	±15	%
Independent Linearity	±0.3	%
Power Rating	3/70°C	W
Output Smoothness	MAX. 0.1	%
Insulation Resistance	MIN. 100/DC1000V	MΩ
Dielectric Strength	AC1000/1min.	V
Temperature Coefficient Of Resistance	±400	ppm/K

【Mechanical Data】

Total Mechanical Travel	360 Endless	°
Torque	MAX. 25	mN·m
Thrust Load Tolerance	2	N
Radial Load Tolerance	4	N
Mass	600 Approx.(+10g/+one section)	g
IP Rating	IP54	

■ Accessories

Connector plug: Tajimi radio
 Model TC1108-12A10-4F8
 Applicable cable φ8

■ Handling Instruction

• To avoid burnout of resistive element, do not supply more than 1mA current to terminal 2.