

Contactless Linear Sensor

LP-10HA Series

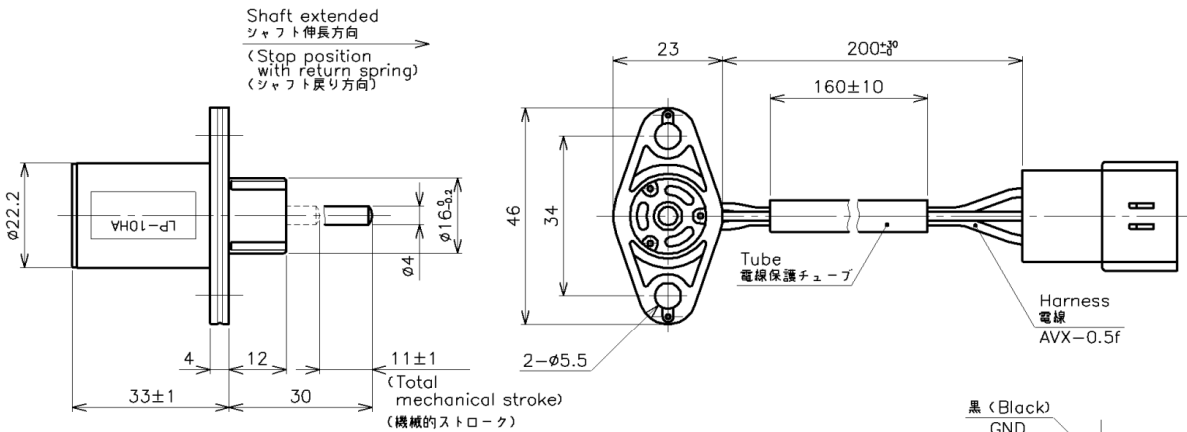


- Contactless Linear Sensor
- Effective Electrical Travel : 10mm
- Absolute Linearity : ±1.6%FS

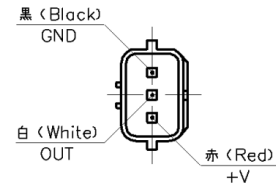
【Material】

- Housing : PBT
- Shaft : Stainless Steel
- Bearing : Copperalloy

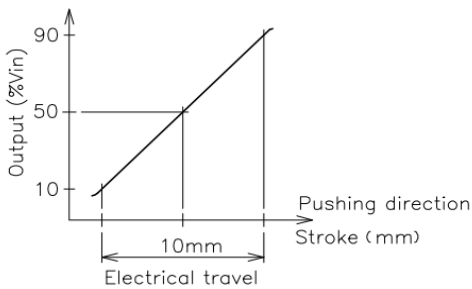
Dimension [mm]



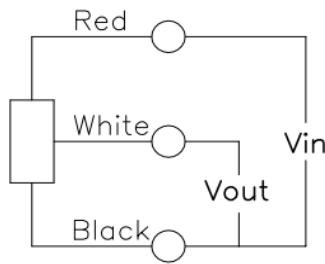
CONNECTOR : TE CONNECTIVITY AMP ECONOSEAL J - MARK II
 CAP HOUSING : 174359-2 TAB CONTACT : 173600-1
 RUBBER PLUG : 2822352-1 DOUBLE LOCK PLATE : 174360-7



Output Characteristics

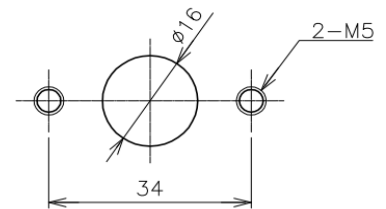


Schematic



• Red, White, Black indicate wire colors.

Mounting



【Model No.】	LP-10HA
--------------------	---------

【Electrical Data】		
Effective Electrical Travel	10	mm
Output Range	10~90	%Vin
Absolute Linearity	±2	%FS
Input Voltage	DC5±0.5	V
Load Resistance	10~150	kΩ
Supply Current	MAX. 16	mA
Insulation Resistance	MIN. 100/DC50V	MΩ
Resolution	10(0~100%Vin)	bit
Temp. Characteristics -40°C~100°C (Reference Temp. 25°C)	±0.33	mm

【Mechanical Data】		
Total Mechanical Travel	11±1	mm
Friction	0.8~2.45	N
Stopper Strength	MIN. 98	N
Mass	55 Approx	g

【Environmental Data】		
Life	10 Million	Cycle
Operating Temperature Range	-40~100 (No condensation)	°C
Storage Temperature Range	-40~100 (No condensation)	°C
Vibration	98m/s ² 200~2000Hz	
Shock	1000m/s ² (100G) 3axis 3times	
EMS	100V/m 200~1000MHz	
ESD(Case-Each Terminal)	±16	kV
ESD(Each Terminal)	±16	kV
IP Rating	IP65(Except the cable side from the mounting surface and tip of connector)	

■ Handling Instruction

- This product may be influenced from external magnetic field.
- Use this sensor in the place where is protected from ESD.