

Conductive Plastic Linear Sensor

# LP-FP Series - LP-xxFP

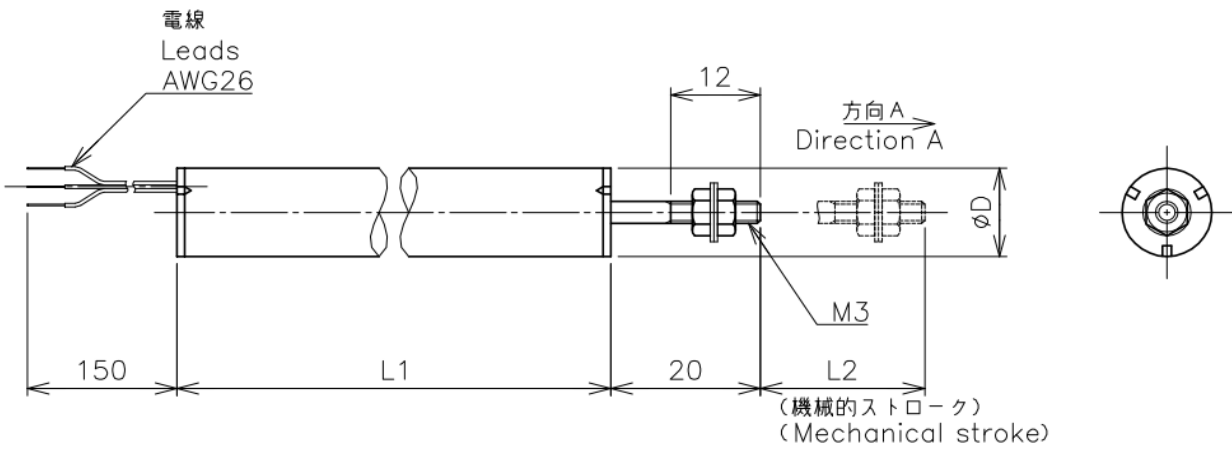


- Conductive Plastic Linear Sensor
- Effective Electrical Travel:
  - 20mm±0.5mm
  - 30mm±0.5mm
- Independent Linearity : ±1%

**【Material】**

- Housing : Aluminum
- Shaft : Stainless Steel
- Bearing : Copper alloy

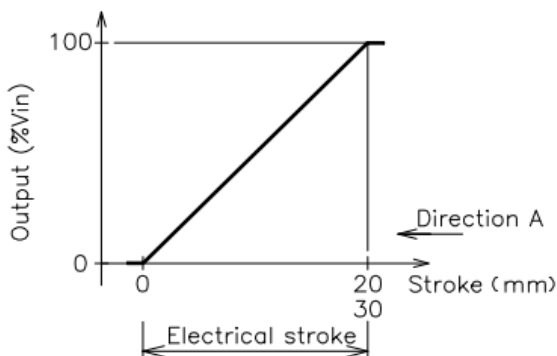
**Dimension [mm]**



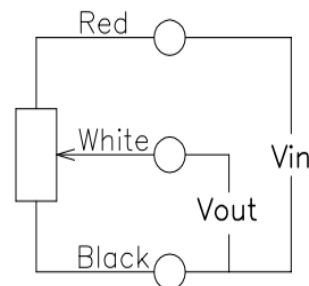
<b>【Model No.】</b>	LP-20FP	LP-30FP
--------------------	---------	---------

<b>【Housing Length・Mounting】</b>				
Housing Length	L1	48	58	mm
	φD	φ12		mm
Mech. Travel	L2	22±1	32±1	mm

**Output Characteristics**



**Schematic**



• Red,White,Black indicate lead colors.

<b>【Model No.】</b>	LP-20FP	LP-30FP
--------------------	---------	---------

**【Electrical Data】**

Effective Electrical Travel	20±0.5	30±0.5	mm
Total Resistance	1		kΩ
Total Resistance Tolerance	±20		%
Independent Linearity	±1		%
Power Rating	0.6/70°C	0.9/70°C	W
Output Smoothness	MAX. 0.1		%
Insulation Resistance	MIN. 100 / DC 500V		MΩ
Dielectric Strength	AC500 / 1 Minute		V
TC of Resistance	±1000		ppm/K

**【Mechanical Data】**

Friction	MAX. 0.4		N
Mass	18 Approx.	20 Approx.	g

**■Accessories**

M3 Nut, Plain washer 2 pieces each

**■Handling Instruction**

To avoid burnout of resistive element, do not supply 1mA Min. current to terminal 2.