

Contactless Angle Sensor

QP-2H Series - QP-2H, QP-2HC



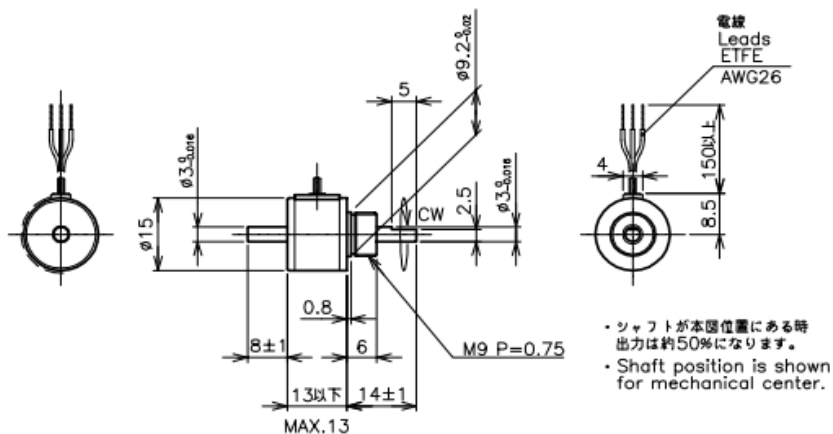
- Contactless Angle Sensor
- Effective Electrical Travel : $\pm 45^\circ$
- Independent Linearity : $\pm 1.5\%$
- Bushing Mount

【Material】

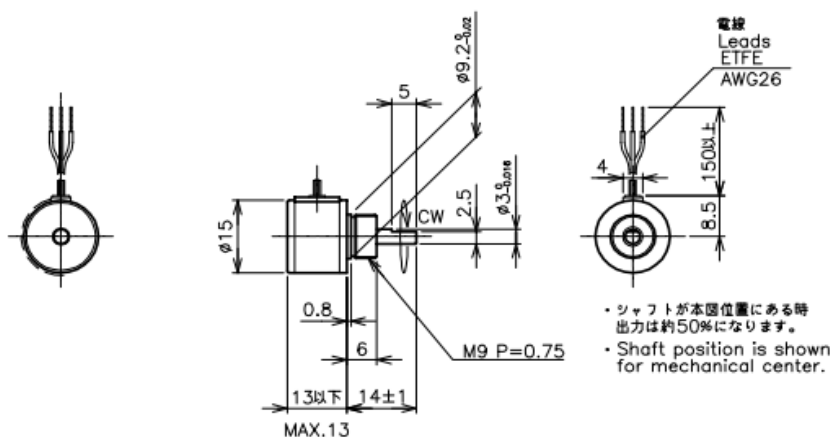
- Housing : Aluminum
- Shaft : Stainless Steel
- Cover : Stainless steel
- Bearing : Stainless steel

■ Dimension [mm]

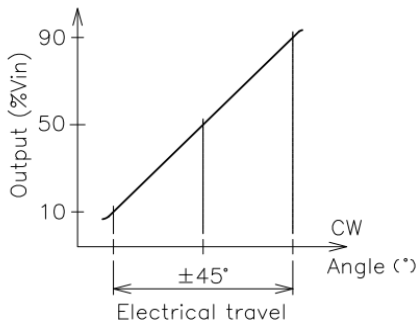
QP-2H



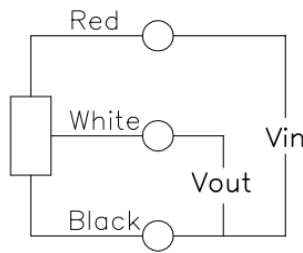
QP-2HC



Output Characteristics

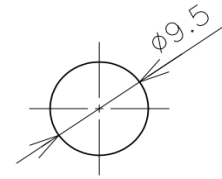


Schematic



• Red, White, Black indicate wire colors.

Mounting



【Model No.】	QP-2H	QP-2HC
-------------	-------	--------

【Electrical Data】

Effective Electrical Travel	±45(90°)	°
Total Resistance	10~90	%Vin
Total Resistance Tolerance	±1.5(FS=90°)	%FS
Independent Linearity	DC5±0.5	V
Power Rating	MIN. 10	KΩ
Output Smoothness	MAX. 10	mA
Insulation Resistance	MIN. 100/DC50V	MΩ
Temp. Characteristics	Center Position:±1.5° ±45°Position:±2.5°	

【Mechanical Data】

Total Mechanical Travel	360 Endless	°
Torque	MAX. 0.05	mN·m
Thrust Load Tolerance	1	N
Radial Load Tolerance	3	N
Mass	10 Approx.	g

【Environmental Dat】

Category Temperature Range	-30~+100	°C
Storage Temperature Range	-30~+100	°C

Accessories

M9 nut, washer with an inner tooth profile tooth One piece each

Handling Instruction

- This product may be influenced from external magnetic field.
- Use this sensor in the place where is protected from ESD.