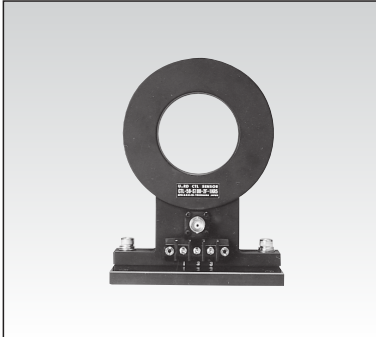


High frequency CT penetrated type

CT High speed high current CT for pulse measurement -40Hz ~ 1MHz-

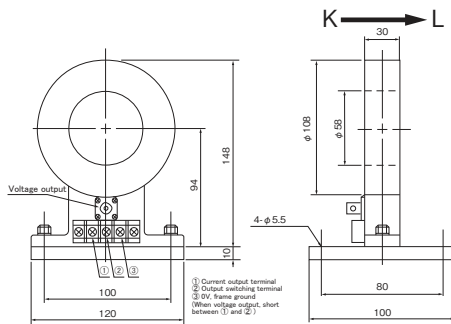


Model CTL-58-S100-2F-1KR5

[Features]

- For high speed pulse high current measurement until 1000A peak
- Corresponding to both of voltage output and current output by choice of connection method to terminal
- Excellent noise resistance by inserting into brass case
- Suitable to pulse current measurement of large size power supply and inverter with large aperture

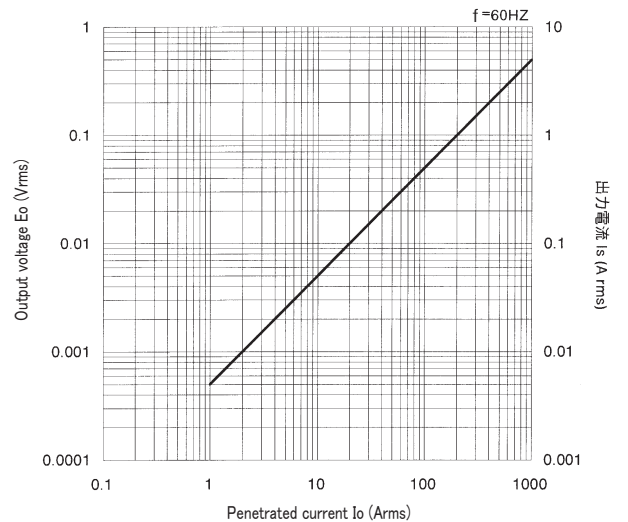
[Outline drawing]



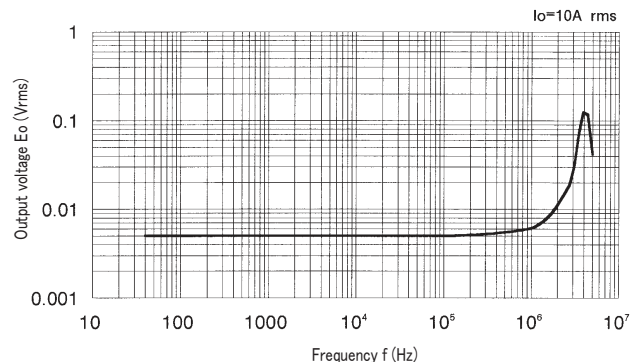
[Specification] Ta=25°C

Model	CTL-58-S100-2F-1KR5
Primary current	1 ~ 1000Arms
Frequency	40Hz ~ 1MHz
Output sensitivity	Voltage output : 0.5V / 1000A, $R_L=1M\Omega$ Current output : 5.0A / 1000A Refer Remark (2) for detail switching method
Linearity	$\pm 3\%FS$
Operating temperature	-20°C ~ +80°C
Storage temperature	-30°C ~ +95°C
Structure	BS case, common frame ground (isolated structure between mounting foot and case)
Output connector	Voltage output : BNC-R Current output : terminal
Screw torque	1.5N · m
Mass	approximately 1650g

[Output voltage characteristics]



[Frequency characteristics]



Remark

- (1) Common ground for case. Isolate the measuring object if the isolated measurement is necessary between measuring wire and output
- (2) Please choose one of voltage output or current output with output switching terminal. Have to connect load not to open output absolutely, when using current output
- (3) Please ask if using for high current, because derating maximum primary current is necessary depended on frequency