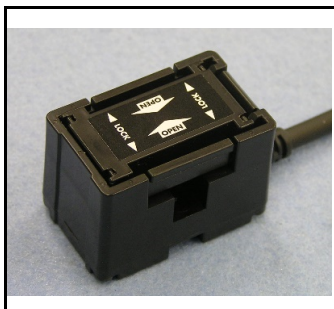


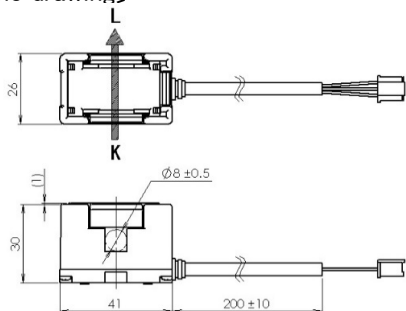
RMS converting clamp type current flowing detection module (φ 8)



Mode I CTU-8-CSR02

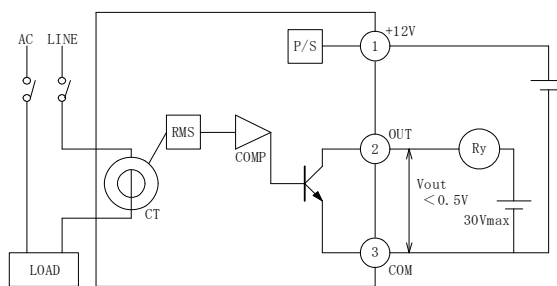
- [Features]**
- Compact design with setting clamp structure inside of frame
 - Using wire with sheath for output wire
 - All in one structure to build in flowing current detection circuit into sensor
 - High sensitive detection for set up current of 0.2Arms fixed
 - Easy to assemble with clamp method
 - Stable operation with RMS converting circuit, in the case of waveform distortion
 - Suitable model for measurement of AC current with vinyl isolated conductor less than 8mm finished outline diameter

[Outline drawing]



Connector PIN No.	Assignment
1	PS +12V
2	OUT
3	COM

[Connection]



※ Please refer the manual of connected equipment such as relay, and sequencer, and so on during connection
Possible to use common power supply for control and output

[Specification] Ta=25°

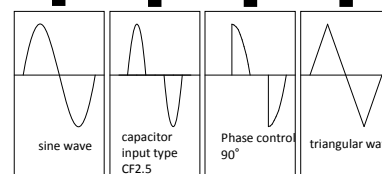
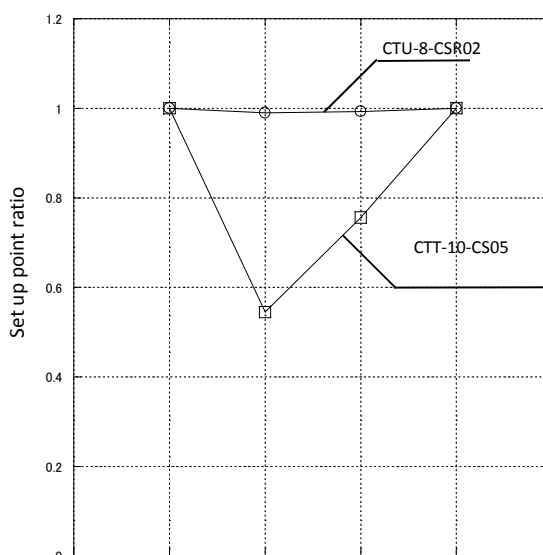
Ta=25°C

Model	CTU-8-CSR02
Set up current	0.2Arms (50Hz/60Hz)
Input current peak value	Crest Factor CF: 2.5
Converting type	RMS converting type
Accuracy	±10% (50Hz/60Hz sine wave)
Recovery current	Output off with Set up current -10% typ
Over current strength	75A continuous
ON delay	0.6s/0 → 0.25A typ
OFF delay	0.2s/0.25A → 0 typ
Output specification	Emitter to ground, open collector output
(Recommended condition)	(MAX 30V/30mA·Vout<0.5V)
Power supply	DC+12V (5mA typ)
Fitting repeatability	≒ 100 times (not corresponding to frequent fitting)
Withstand voltage	AC2000V, 1min (between aperture and output connector terminal in a lump)
Insulation resistance	DC500V, ≧100MΩ (between aperture and output connector terminal in a lump)
Mass	approximately 60g
Operating temperature	-20°C~+50°C, ≦80%RH, no condensation for indoor assembly, free direction for setting
Storage temperature	-30°C~+90°C, ≦80%RH, no condensation
Output connector	Plug housing: XAP-03V-1 (JST) Socket contact: SXA-001T-P0.6 (JST)
Mating connector	Receptacle housing: XARR-03VF (JST) Pin contact: SXA-001T-P0.6 (JST)

[Remark]

- With impacted force on joint surface, there are breakage of ferrite core
Please re-assemble without forcing to insert, in the case to feel core's interference during setting
- There is the optional cable (selling separately) for extension of output wire
- Free direction for setting. Selling the fixing board as option to fix.
- Sensitivity becomes (n) times with (n) turns of detected wire corresponding to small current
- No accessory of mating connector
- Impossible to use in outdoor exposure

Set up point (reference) Ta=25°C TYP

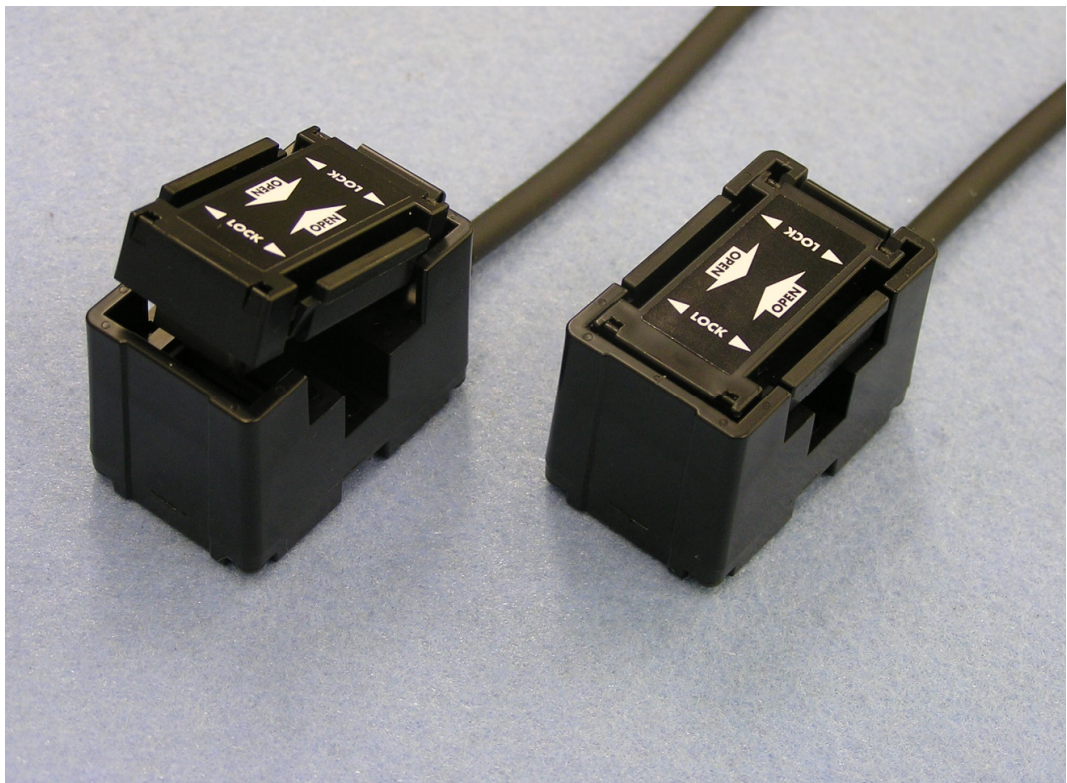


Input current waveform

※ It is set up ratio for each waveform in the case to put 1 for set up current with sine wave. Comparison with our CTT-10-CS05

Flowing or leakage current detection
module

CTU-8-CSR02



- The specifications may be changed without prior notice, due to performance improvement.
- It is possible for customized product. Please ask.

U.R.D. Co., Ltd.

1-1-52, Suehiro-cho, Tsurumi-ku, Yokohama, 230-0045, Japan
TEL 045-502-3111 FAX 045-502-3632