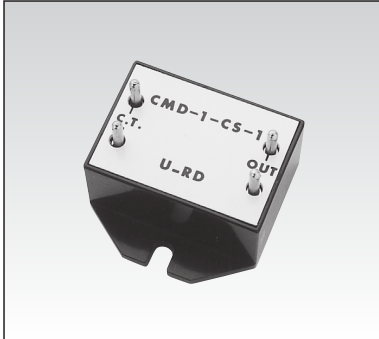


ON/OFF current detection module (SSR output type)



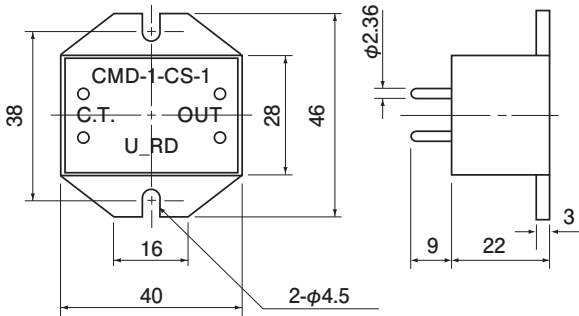
Model CMD-1-CS-1

[Feature]

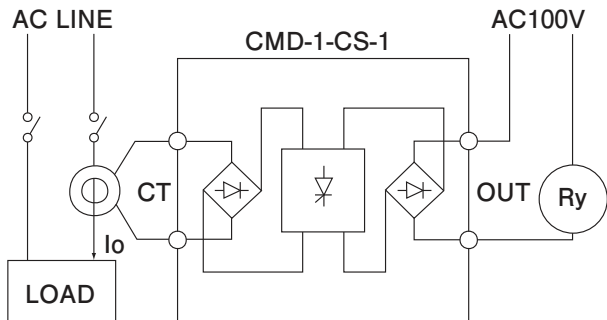
- Module to discriminate presence or absence of current easily, by combination with AC current sensor
- Possible to drive the relay of AC100V line directly, by SSR output of non-polar, without power supply
- Possible to set to any current value of operating point to some extent, by the choice of applied current sensor and changing the condition of use, and so on

Alarm equipment

[Outline drawing]



[Connection]



[Specification] Ta=25°C

Applied current sensor	ON sensitivity typ	OFF sensitivity typ
CTL-6-H series	0.7A	0.6A
CTL-12-S36-10	0.8A	0.7A
CTL-24-TE	0.9A	0.8A
CTL-6-P.S-Z	0.4A	0.3A
CTL-12-S60-7Z	0.3A	0.2A
CTL-12-S30-10Z	0.4A	0.3A
CTL-24-S28-10Z	0.4A	0.3A
CTL-6-S32-8F-CL	2.8A	2.5A
CTL-10-CLS	1.1A	0.7A
CTL-16-CLS	1.1A	0.7A

Output circuit

Output specification	SSR output: AC120V/0.3A MAX (ON hold by DC circuit)
Operating temperature	-20°C~+75°C, ≤80%RH, no condensation
Storage temperature	-30°C~+90°C, ≤80%RH, no condensation
Screw torque	0.7N · m
Mass	approximately 17g

[Remark]

- (1) Operating sensitivity is typical, so please see the margin for practical use
- (2) Accessorie 4pcs each
Receptacle terminal (LVF-0.1T-2.36N)
Sleeve (S1P-LV)
- (3) Current sensitivity to be N times with N turns of detected wire into the aperture of current sensor at the time of discrimination of small current
- (4) Connect resistor (RL) in parallel to the output of current sensor at the time to decrease the current sensitivity
Possible to calculate as the indication below
 $E_o = I_o \cdot R_L / n = 1.8 \sim 2 \text{ (V)}$
Eo : Current sensor output voltage(V)
Io : Operating current value(A)
n : Current sensor wiring turns (turns)
- (5) With over current flowing continuously, the inside of module to be burned out
In the case to exceed 0.15A for CT output current value ($i = I_o / n$), please decrease the current flowing into the module with the connection of resistor to the CT output in parallel
Please choose resistor value and wattage with indication of $R = 5V / (i - 0.15A) \dots (\Omega)$