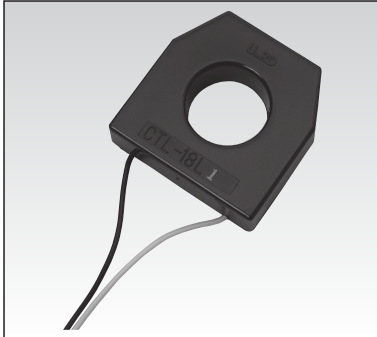


Generic small size AC current sensor with large aperture ($\phi 18$)

AC current sensor

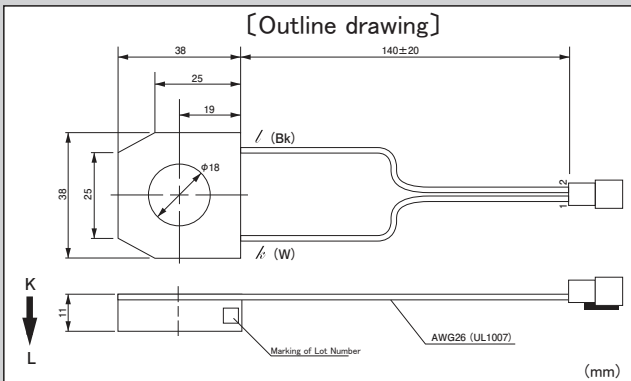


Model CTL-18L-1

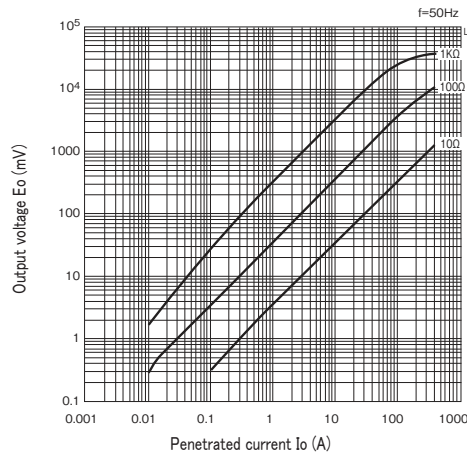
[Features]

- Small size current sensor of high general versatility keeping $\phi 18$ aperture diameter, though compact shape with 38X38mm
- Possible to interface to electrical circuit directly by small secondary current with high current ratio of 3000:1
- Excellent linearity in the range of 0.1~180Arms

[Outline drawing]



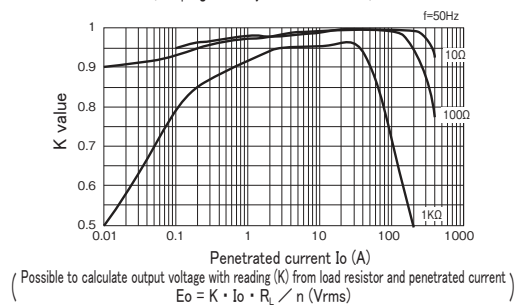
[Output voltage characteristics]



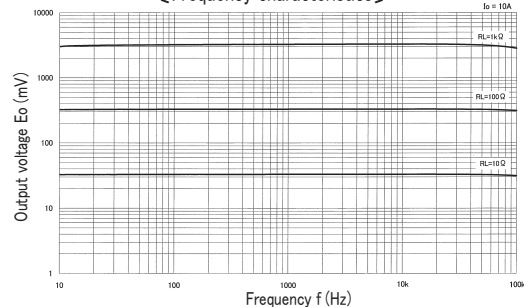
[Specification] Ta=25°C

Model	CTL-18L-1
Primary current	0.1A ~ 180Arms (50 / 60Hz)、 $R_L \leq 10 \Omega$
Maximum primary current	180Arms continuous
Output characteristics	Refer "Output voltage characteristics"
Linearity	Refer "Coupling efficiency [K] characteristics" (Use the flat range of [K] characteristic in the application as the linear sensor)
Secondary windings (n)	3000±2 turn
Secondary windings resistance	190 Ω (reference)
Withstand voltage	AC2000V(50/60Hz), 1min(between aperture and output connector terminal in a lump)
Insulation resistance	DC500V, $\geq 100M\Omega$ (between aperture and output connector terminal in a lump)
Operating temperature	-20°C ~ +75°C, $\leq 80\%RH$, no condensation
Storage temperature	-30°C ~ +90°C, $\leq 80\%RH$, no condensation
Structure	PBT plastic case, fixed with epoxy
Output wire	UL1007 Vinyl wire(AWG26X140L)
Output connector	Pin contact : SYM-001T-P0.6 Receptacle housing : SMR-02V-B (JST)
Mating connector	Socket contact : SHF-001T-0.8BS Plug housing : SMP-02V-BC、NC (JST) (Not included)
Mass	approximately 30g

[Coupling efficiency (K) characteristics]



[Frequency characteristics]



- Remark (1) Prepared extension wire separately sold for the extension of output wire. Or, possible to use with connection of any wire after removing the connector
- (2) Free direction for setting. Fastening with plastic band, if fixing.
 - (3) Opening the secondary during turn ON is hazardous and the cause of failure, because of generating high voltage
 - (4) Please surely ask to our technical consulting service, if the power measurement is thought.
 - (5) Please be careful of CT heating in case to use with high frequency, although this CT is basically used at 50/60Hz.