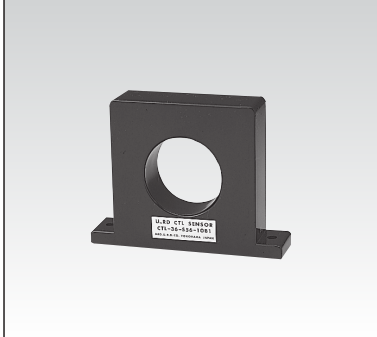


Large size standard AC current sensor with large aperture for panel mounting

AC current sensor

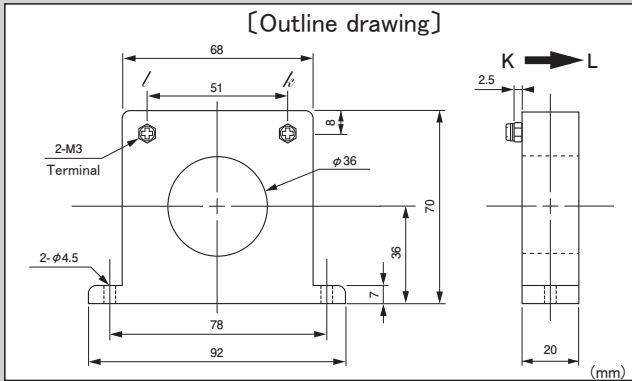


Model CTL-36-S56-10B1

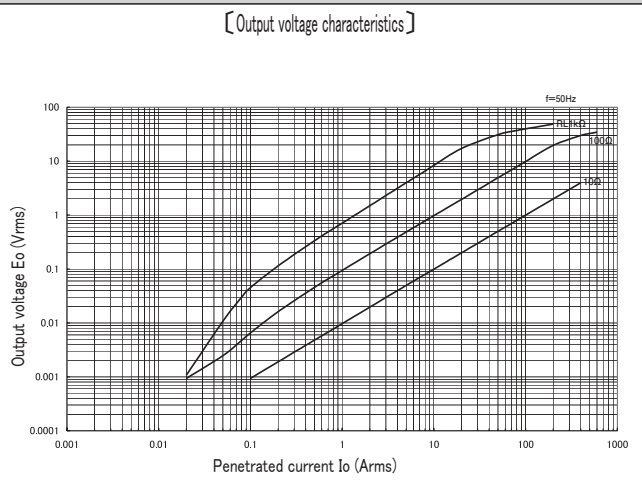
[Features]

- Large aperture of $\phi 36$ aperture diameter. Large size standard current sensor
- The highest model of CTL generic series for general measurement with primary current 800A max
- Possible to interface to electrical circuit directly by small secondary current with high current ratio of 1000:1
- Output: M3-screw terminal, Mounting holes: 2- $\phi 4.5$, robust structure suitable for installation into large panel

[Outline drawing]



[Output voltage characteristics]

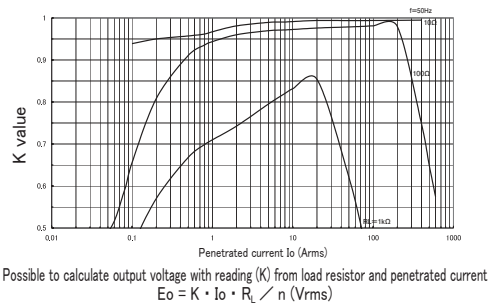


[Specification] Ta=25°C

Model	CTL-36-S56-10B1
Primary current	0.1 ~ 800Arms (50 / 60Hz)、 $R_L \leq 10\Omega$
Maximum primary current	600Arms continuous
Saturation limited current	2000Arms (50 / 60Hz)、 $R_L \leq 1\Omega$
Output characteristics	Refer "Output voltage characteristics"
Linearity	Refer "Coupling efficiency [K] characteristics" (Use the flat range of [K] characteristic in the application as the linear sensor)
Secondary windings (n)	1000 \pm 2 turn
Secondary windings resistance	8.6 Ω (reference)
Withstand voltage	AC2000V(50/60Hz), 1min(between aperture and output terminal in a lump)
Insulation resistance	DC500V, $\geq 100M\Omega$ (between aperture and output terminal in a lump)
Operating temperature	-20°C ~ +75°C, $\leq 80\%RH$, no condensation
Storage temperature	-30°C ~ +90°C, $\leq 80\%RH$, no condensation
Structure	ABS plastic case, potted by epoxy on one side
Output terminal	M3X5L (BS screw terminal)
Screw torque	M4 : 0.7N · m、M3 : 0.3N · m
Mass	approximately 180g

- Remark (1) Output voltage is changed by the penetrated current/load resistor/[K] characteristic and so on. Please set up the condition for use with careful investigation of each characteristic
- (2) Please use with enough margin if the range of coupling efficiency [K] ≤ 0.9 , because it is the range to happen the individual difference.
- (3) Opening the secondary during turn ON is hazardous and the cause of failure, because of generating high voltage
- (4) Please surely ask to our technical consulting service, if the power measurement is thought.
- (5) Please be careful of CT heating in case to use with high frequency, although this CT is basically used at 50/60Hz.

[Coupling efficiency (K) characteristics]



[Frequency characteristics]

