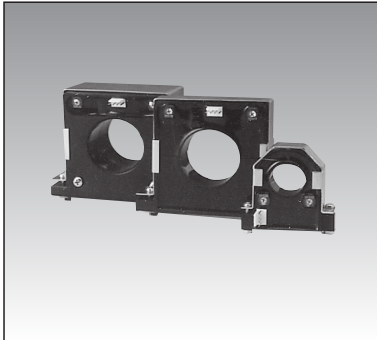


Generic DC current sensor, split type

Medium and large size split type for panel mounting corresponding to +8V ~ +16V power supply

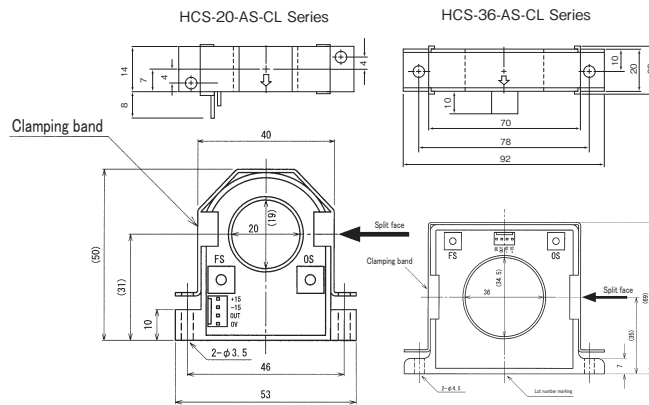


Model HCS-AS-CL series

[Features]

- Integral structure split type of sensor and op-amp
- Possible to measure with isolation
- Possible to measure until bandwidth of DC ~ 20kHz high frequency (In the case of use with high frequency, there is the case not to use until the rating current)
- High speed response within 3 μ s

[Outline drawing]



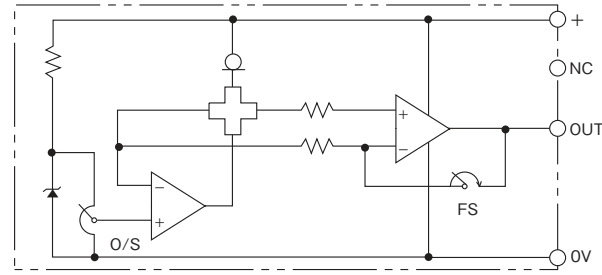
[Specification]

Model	HCS-20- (Rating current) -AS-CL			HCS-36- (Rating current) -AS-CL	
Rating current (FS)	$\pm 50A$	$\pm 100A$	$\pm 150A$	$\pm 200A$	$\pm 500A$
Output voltage	2.5V \pm 2V (without load, output range \pm 2V at the midpoint of 2.5V, Recommended load resistor \geq 10k Ω)				
Residual voltage	2.5V within \pm 20mV (no load, Power supply 12V)				
Noise level	Less than 10mVp-p (no load)				
Linearity	Within \pm 1%FS (power supply 12V)				
Hysteresis(FS \rightarrow 0)	Within \pm 15mV				
Response time	Less than 3 μ s (at di/dt = FS/2 μ s)				
Output voltage temperature coefficient	\pm 0.15% / $^{\circ}$ C typ				
Residual voltage temperature coefficient	\pm 1.5mV / $^{\circ}$ C typ			\pm 1mV / $^{\circ}$ C typ	
Power supply	DC+8V ~ +16V single power supply (25mA typ/DC+12V, 45mA typ/DC+16V)				
Withstand voltage	AC2500V(50/60Hz), 1min (Aperture-output terminal in a lump)				
Insulation resistance	DC500V, \geq 500M Ω (Aperture-output terminal in a lump)				
Operating temperature	-10 $^{\circ}$ C ~ +60 $^{\circ}$ C, \leq 85%RH, no condensation				
Storage temperature	-15 $^{\circ}$ C ~ +65 $^{\circ}$ C, \leq 85%RH, no condensation				
Internal adjustment function	FS: Calibration for maximum output, OS: Calibration for zero point without load (Calibrated at the time of delivery)				
Output connector	5045-04 (Molex)				
Screw torque	0.3N \cdot m			0.7N \cdot m	
Mass	approximately 55g			approximately 210g	

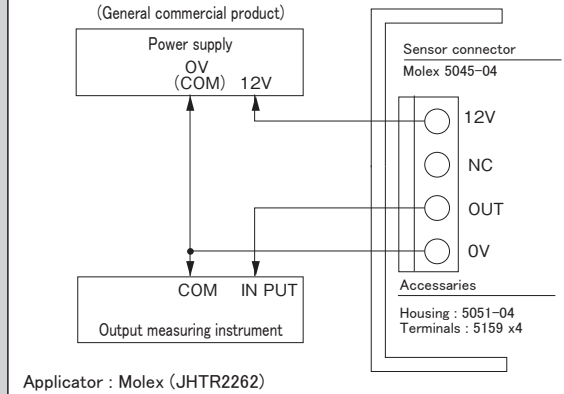
- [Remark]** (1) After overcurrent more than rating current, offset drift occur by proportional to that current, with hysteresis of core. Ta=25 $^{\circ}$ C
 (2) Although core joint surface is protected from rust, in the case of rusting, possible to be recovered by removal of rust with CRC-556 (goods on the market) and paint it again.
 (3) Please attention that there is the product destruction in the case of wrong connection of control power supply
 (4) Offset voltage is on control power supply +12V at the time of shipping, and it is not within the range in the case of over current than rating current
 (5) Temperature characteristic is representative value, but not standard value.

HCS-AS-CL series typical characteristic (HCS-20-50-AS-CL)

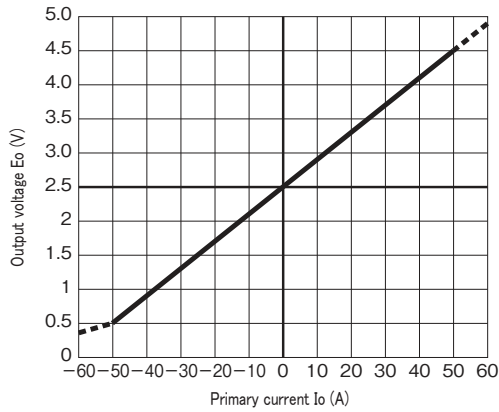
[Circuit diagram]



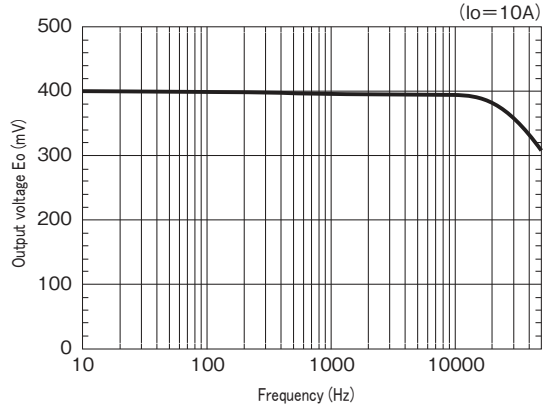
[Connection]



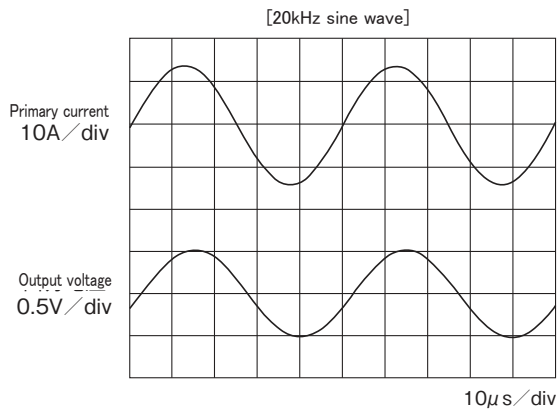
[Output voltage characteristic]



[Frequency characteristic]



[Output waveform] -1



[Output waveform] -2

