



# Selection Guide of CP36U



## Specifications

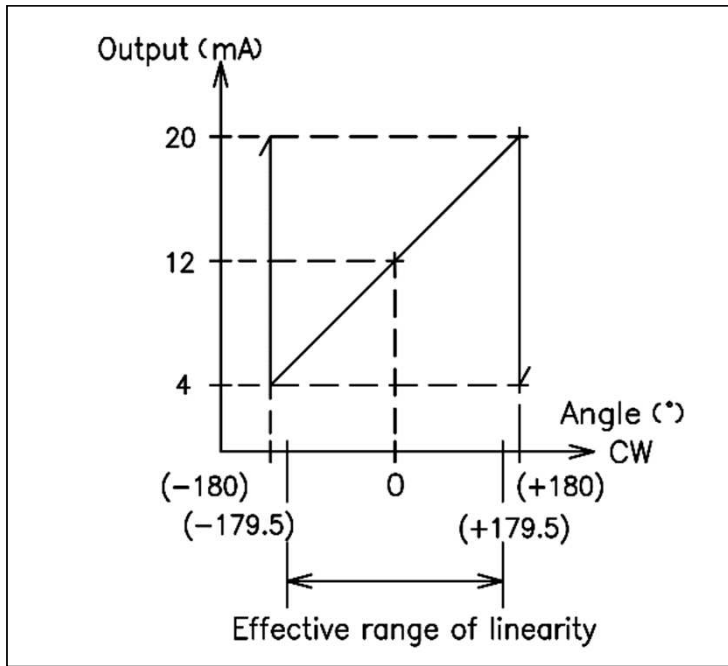
Standard and Teach-in Function types are available.

Appearance						
Subject		Standard (3 types)			Option	
Difference	Electrical	Effective Elect. Travel	90°	270°	360°	18~360°
		Absolute Linearity	±0.5%FS	±0.3%FS	±0.2%FS	±0.2~±2.1%FS
		Output Range	4~20mA (Output direction :CW)			Resettable (4±1,20±1,CW,CCW)
		Resolution	4.55Typ.(Calculation, 12bit approx.)			It depends on angle
		Temp. Drift (Category Temp. Range)	±1.0°		±0.5°	±1.0° (FS=360°~91°) ±0.5° (FS=90°~18°)
	Environmental	EMS	100V/m : 10k~1GHz (ISO11452-2,3)			-
Common	Electrical	Input Voltage	DC24±8V			
		Load Resistance	600 max. (Vin= @DC24V)			
		Update Cycle	1kHz±10%			
	Mechanical	Rotational Torque	1mN·m max.(IP50) / 10mN·m max.(IP67)			
	Environmental	Category Temp. Range	-40~+85°C			
		Storage Temp. Range	-40~+105°C			
		IP Rating	IP50 / IP67 (Except cable exit)			
		Vibration	200m/s <sup>2</sup> 5~500Hz/20分 3 axis 2h each (JIS C60068-2)			
		Shock	1000m/s <sup>2</sup> 6ms 3 axis 6 directions 3 times each (JIS C60068-2-27)			
		EMI	CISPR25 CLASS2			
ESD		IEC61000-4-2 Contact ±4kV, Air ±8kV, Criteria B				

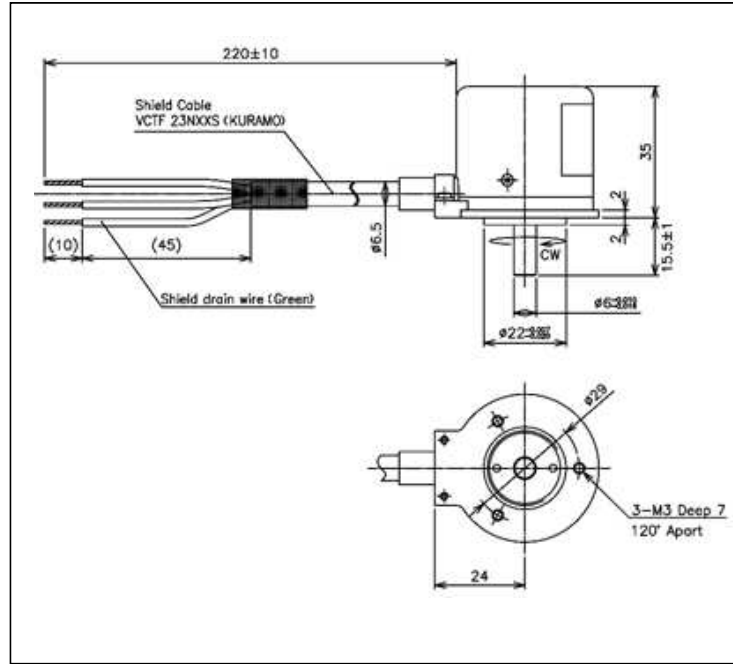
## Model Number Designation

<b>CP36U</b>	<b>S</b>	<b>1</b>	-	<b>090</b>	-	<b>A</b>	-	<b>XX</b>
<b>Series Number</b>	<b>IP Rating</b>			<b>Electrical Travel</b>		<b>Output Type</b>		<b>Mounting Plate Type Custom</b>
	0 : IP50 1 : IP67					A : Current 4~20mA		
	Non Adjustable – Angle		Ex.)	090 = 90°				01 : w/Mounting Plate Other number : Custom
	Adjustable			Z00 (Fixed Cable type) Z01 (Detachable Cable type)				

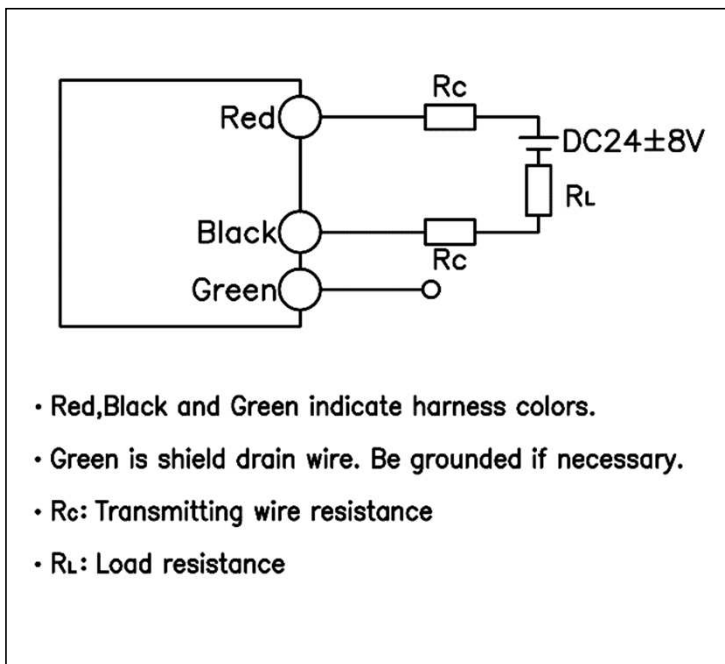
## ■ Output Characteristics



## ■ Dimension(mm) Standard



## ■ Schematic



## ■ Dimension(mm) Option

