

MIDORI's Current Output Angle Sensor CP36U Usage Case



Case 1

User

A Fluid Equipment Maker

Market

Valve

Installed

Valve Controller

Application

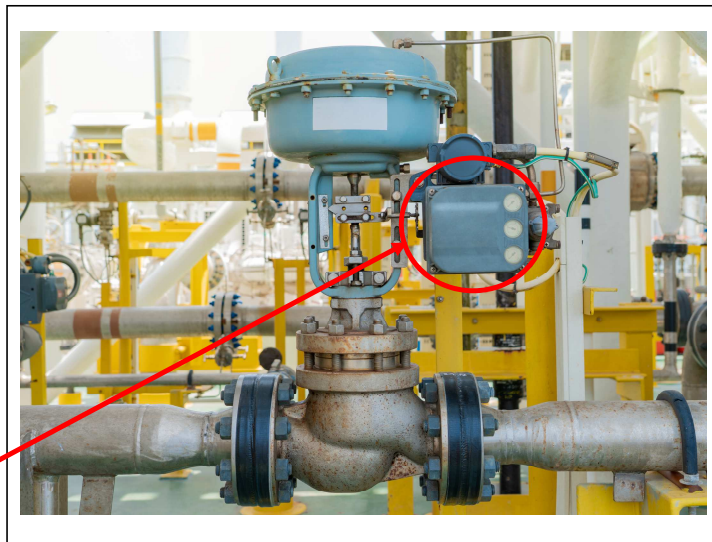
Flow control

- Valve/ Flapper
Opening angle detecting

User's
Voice



CP36U is **not needed to use with the converter** and it **can transmit highly accurate angle position data stable over long-distance**. It is very helpful for us.



Case 2

User

A Flowmeter Maker

Market

Instrumentation device

Installed

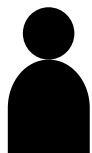
Oil Level Gauge

Application

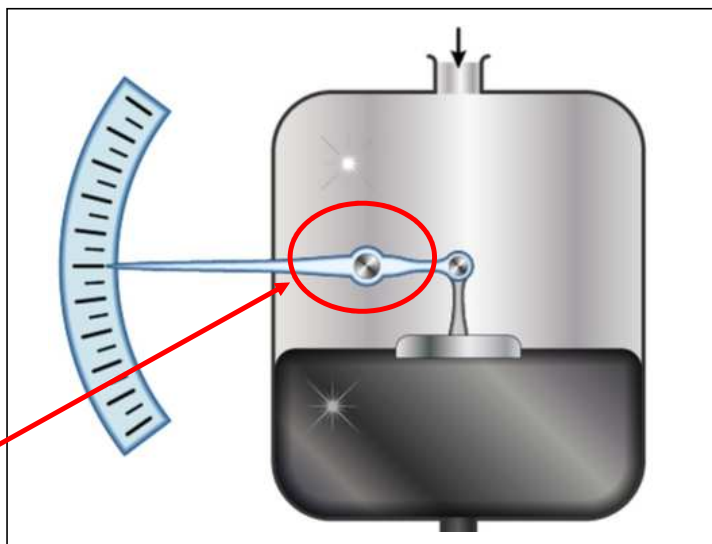
Float position detecting

- Oil level displacement
detecting

User's
Voice



Because there is no replacement of Synchro, we had a trouble for the replacement. CP36U is **current output** type so that it is easily replaced.



Case 3

User

A Film Manufacturing Equipment Maker

Market

Bonding machines

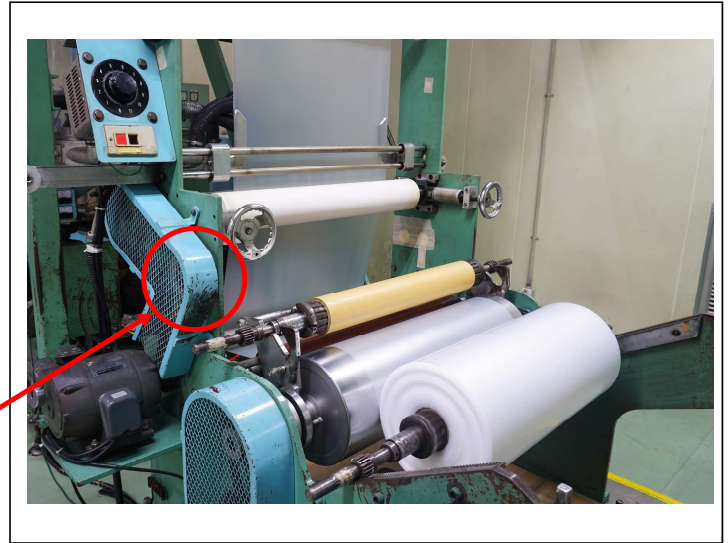
Installed

Winding/Rewinding Device

Application

Dancer roll

- Tension control of thread/film



User's Voice



Conventional potentiometers have been troubled because they were needed to be replaced frequently. CP36U which is a contactless type sensor has a long life. **Therefore life of the device is longer and the maintenance cost was reduced.**

Case 4

User

A Drill Machine maker

Market

Construction machinery

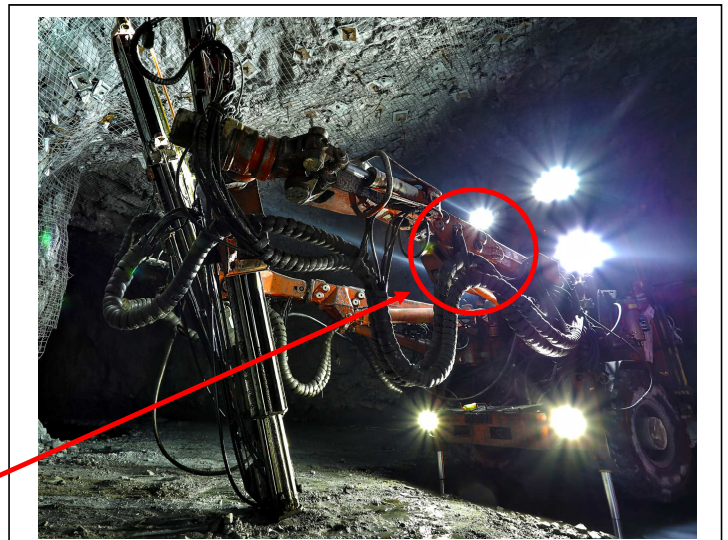
Installed

Drill Jumbo

Application

Detecting Angle of Arm

- Position checking of drill's install angle



User's Voice



Some Arm Angle Sensor has been damaged by the high vibration and shock. CP36U is a contactless type and **waterproof IP65**. It is good for **using at harsh conditions** like ours.