



## It can be selected output types for suitable applications

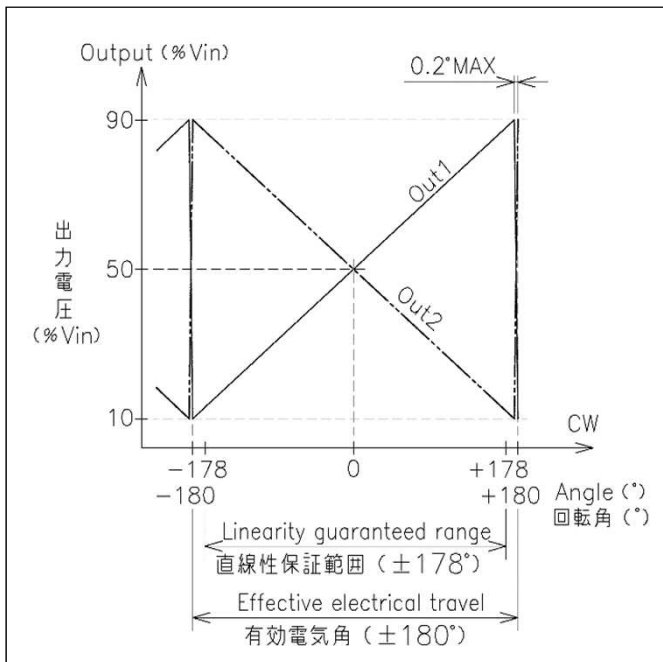
Subject		Specification	
Basic Characteristics	Dimension/Mass	W39.8mm×D33.5mm×H7mm / 30g approx.	
	Effective Elect. Travel*	±180°	
	Absolute Linearity	±2%FS (When Gap is recommendation value)	
	Input Voltage	DC5±0.5V	
	Output type	Voltage Ratio / PWM (Dual output)	
Electrical	Output Range	Ratio 10~90%Vin	PWM 10~90%Duty
	Resolution	12bit(0~100%Vin)	
	Current Consumption	20mA max.	
	Temp. Characteristics -40~+85°C (25°C std.)	±1°	
Environmental	Life time	Mechanical unlimited	
	Category Temp. Range	-40~100°C	
	Vibration	200m/s <sup>2</sup> , 5~500Hz 10min, 3axis 2hours (Room Temp.)	
	Shock	500m/s <sup>2</sup> , 11ms, 3axis 3 times (Room Temp.)	
	EMS	100V/m, 1MHz~ 1 GHz (ISO 11452-2, -3)	
	ESD	±15kV (IEC 61000-4-2)	
	IP Rating	IP67	

\* Other Electrical travel range is available on request.

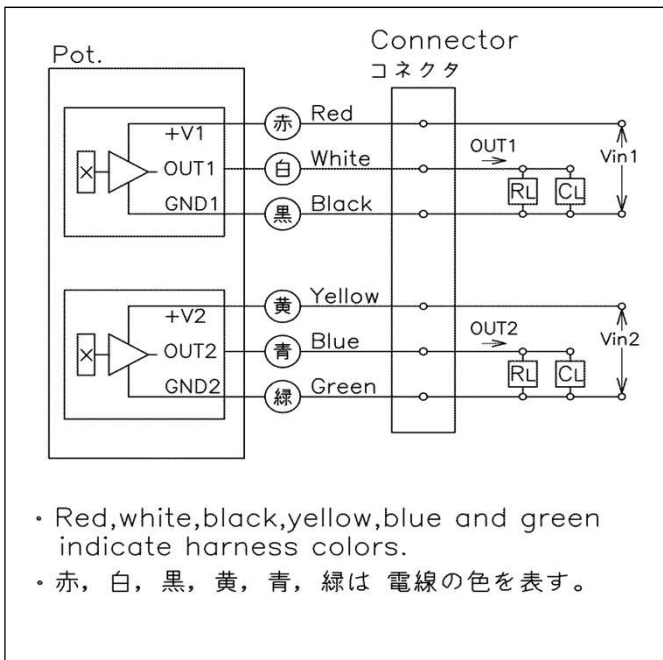
## Model Number Designation

<b>CP2HX</b>	<b>C</b>	<b>360</b>	-	<b>R</b>	<b>1</b>	-	<b>XX</b>
Series Number	Output	Electrical Travel		Output Type	Shaft part		Custom
C : Dual Output (Cross Output) (Standard) P : Dual Output (Parallel Output) (Option)		±180° : 360 (Standard) ± 90° : 180 ± 45° : 090		R : Voltage Ratio (Standard) P : PWM	0 : Sensor part Only 1 : MH01(Standard) 2 : Custom Shaft part		

## ■ Output Characteristics (Cross Output)



## ■ Schematic



## ■ Dimension (Standard)

