



RCS07-20

RCS Series–Level Sensor

Features

- ◆ High or low level sensing
- ◆ External fitting components
- ◆ Reed Switch reliability
- ◆ Silicone compression grommet
- ◆ Easy installation

Comments

- ◆ Normally open or normally closed by float reversal
- ◆ Suitable for a wide range of liquids
- ◆ Side entry with Vertical float travel

Applications

- ◆ Waste Water Level
- ◆ Coolant level indication
- ◆ Drinking water level
- ◆ Cooling systems
- ◆ Boiling water

RCS07-20

RCS Series—Level Sensor

Material

Housing/Shuttle Material	PPS/Kynar
Float Material	PPS
Contact Material	Ruthenium
Float SG	0.85
Operating Temperature °C	-30 to 110
Housing Color	Black/Neutral
Float Color	Black

Cable

Cable Length	2 x 0.1M
Connection Type	Stripped Cables
Cable Type	22 AWG 16/0.2mm PVC insulated
Cable Color	Black/Black

Mechanical Specifications

Shock	3 half-sine pulses of 11mS, 30G
Vibration	35g up to 500Hz
Maximum Pressure	4.7 Bar
Float Diameter	20mm
IP	IP65

Mounting

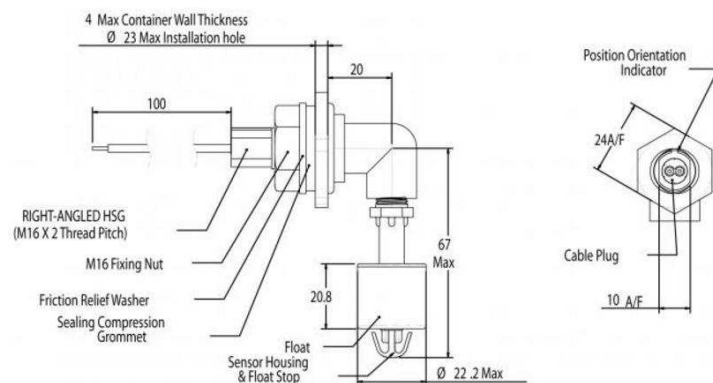
Thread	M16
Fitment	External
Mounting	Any Axis

Switching

Switch Action (Reed Switch)	SPST
Max Switching Voltage VDC	200
Max Switching Voltage VAC	250
Max Switching Current Amps	1
Max Switching Load Watt	30
Operate Mode	N/C with float horizontal
Contact Form	A

Technical Drawing

External Fitting



NORTH AMERICA

Measurement Specialties, Inc.,
a TE Connectivity Company
Phone +1-800-522-6752
Email: customercare.hmpt@te.com

EUROPE

MEAS Deutschland GmbH(Europe)
a TE Connectivity Company
Phone: +49-800-440-5100
Email: customercare.tlse@te.com

ASIA

Measurement Specialties (China), Ltd.,
a TE Connectivity Company
Phone: +86-0400-820-6015
Email: customercare.shzn@te.com

TE.com/sensorsolutions

Measurement Specialties, Inc., a TE Connectivity company.

Accustar, American Sensor Technologies, AST, ATEXIS, DEUTSCH, IdentiCal, TruBlue, KPSI, Krystal Bond, Microfused, UltraStable, Measurement Specialties, MEAS, Schaevitz, TE Connectivity, TE, and the TE connectivity (logo) are trademarks of the TE Connectivity Ltd. family of companies. Other logos, product and company names mentioned herein may be trademarks of their respective owners.

The information given herein, including drawings, illustrations and schematics which are intended for illustration purposes only, is believed to be reliable. However, TE Connectivity makes no warranties as to its accuracy or completeness and disclaims any liability in connection with its use. TE Connectivity's obligations shall only be as set forth in TE Connectivity's Standard Terms and Conditions of Sale for this product and in no case will TE Connectivity be liable for any incidental, indirect or consequential damages arising out of the sale, resale, use or misuse of the product. Users of TE Connectivity products should make their own evaluation to determine the suitability of each such product for the specific application.