



## VCS-04

### VCS Series • Top or Bottom • Level Sensor

#### Features

- ◆ Overall length less than 60mm
- ◆ Internal Fit
- ◆ 22mm diameter float
- ◆ Polypropylene Material

#### Comments

- ◆ High or Low level sensing
- ◆ N/O or N/C by float reversal
- ◆ Reed Switch Reliability (UL File E153493)
- ◆ Encapsulated Magnet
- ◆ Interface Option Available

#### Applications

- ◆ Water high or low Level
- ◆ Condensate level alarm
- ◆ Chemical high or low level
- ◆ Cooling systems
- ◆ Coolant level indication

## VCS-04

VCS Series • Top or Bottom • Level Sensor

### Material

Housing Material	Polypropylene	Cable Length	2 x 0.1M
Float Material	Polypropylene	Connection Type	Stripped Cables
Contact Material	Ruthenium	Cable Type	22 AWG 16/0.2mm PVC insulated
Float SG	0.54	Cable Colour	Black/Black
Operating Temperature °C	-30 to 70		
Medium	Water		
Housing Colour	Black		
Float Colour	White		

### Mechanical Specifications

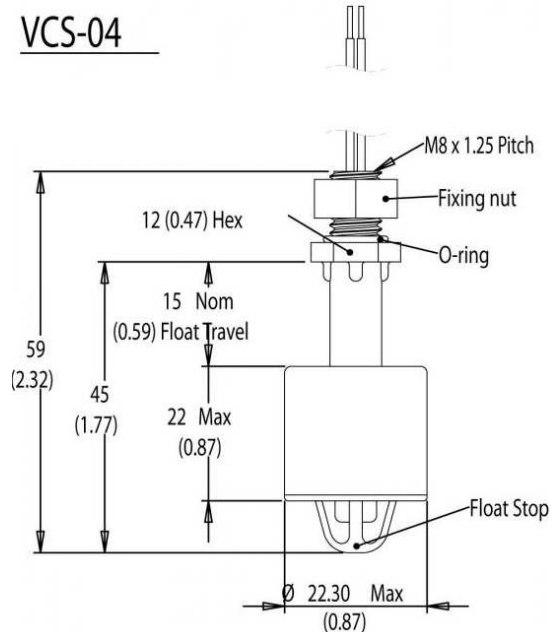
Shock	3 half-sine pulses of 11mS, 30G	Thread	M8 x 1.25mm
Vibration	35g up to 500Hz	Fitment	Internal Fit
Maximum Pressure	1.3 Bar	Mounting	Top or Bottom entry
Float Diameter	22.3mm		
IP	IP65		

### Mounting

### Switching

Switch Action (Reed Switch)	SPST
Max Switching Voltage VDC	200
Max Switching Voltage VAC	250
Max Switching Current Amps	1
Max Switching Load Watt	30
Operate Mode	N/C with float at bottom stop
Contact Form	A

### Technical Drawing



### NORTH AMERICA

Measurement Specialties, Inc.,  
a TE Connectivity Company  
Phone +1-800-522-6752  
Email: [customercare.hmpt@te.com](mailto:customercare.hmpt@te.com)

### EUROPE

MEAS Deutschland GmbH(Europe)  
a TE Connectivity Company  
Phone: +49-800-440-5100  
Email: [customercare.tlse@te.com](mailto:customercare.tlse@te.com)

### ASIA

Measurement Specialties (China), Ltd.,  
a TE Connectivity Company  
Phone: +86-0400-820-6015  
Email: [customercare.shzn@te.com](mailto:customercare.shzn@te.com)

### [TE.com/sensorsolutions](http://TE.com/sensorsolutions)

Measurement Specialties, Inc., a TE Connectivity company.

Accustar, American Sensor Technologies, AST, ATEXIS, DEUTSCH, IdentiCal, TruBlue, KPSI, Krystal Bond, Microfused, UltraStable, Measurement Specialties, MEAS, Schaevitz, TE Connectivity, TE, and the TE connectivity (logo) are trademarks of the TE Connectivity Ltd. family of companies. Other logos, product and company names mentioned herein may be trademarks of their respective owners.

The information given herein, including drawings, illustrations and schematics which are intended for illustration purposes only, is believed to be reliable. However, TE Connectivity makes no warranties as to its accuracy or completeness and disclaims any liability in connection with its use. TE Connectivity's obligations shall only be as set forth in TE Connectivity's Standard Terms and Conditions of Sale for this product and in no case will TE Connectivity be liable for any incidental, indirect or consequential damages arising out of the sale, resale, use or misuse of the product. Users of TE Connectivity products should make their own evaluation to determine the suitability of each such product for the specific application.