



MAGNETS

PM4 Series – Compatible Magnet for PS4 Series

PM4

Design Features

- ◆ High quality Magnet selected

Product Comments

- ◆ Robust Nylon 6.6 housing
- ◆ Magnet selected to operate with PS4 Series
- ◆ Surface Mounted by fixing screws

Typical Applications

- ◆ Door Interlocks
- ◆ Hook Switches
- ◆ Security Systems
- ◆ Safety Interlocks
- ◆ Position Indication

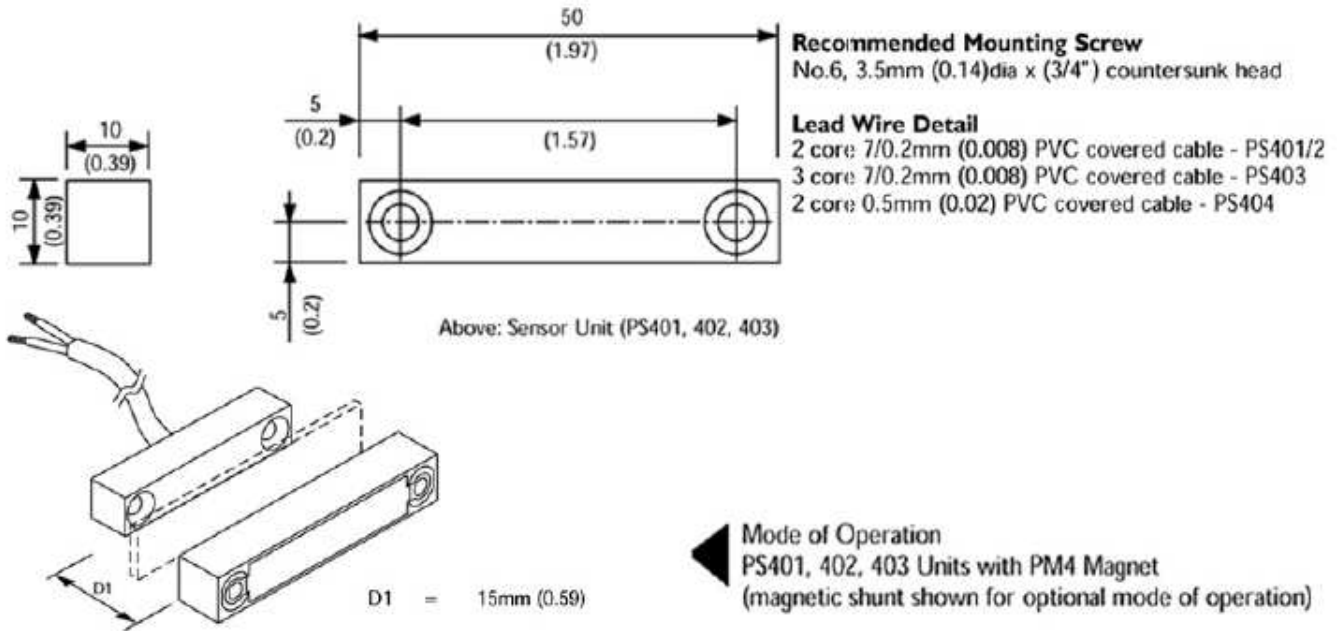
Material, Design and Operation

Mounting	Surface
Material	Nylon 6.6
Housing Material	Plastic
Operating Temperature °C	70
Operate Distance	15mm
Operate Direction	Front
Magnetic Approach	Direct Axis , Parallel Axis

PM4

PM4 Series – Compatible Magnet for PS4 Series

Line Drawing



NORTH AMERICA & EUROPE

TE Connectivity
Hauert 13
D-44227 Dortmund
Germany
Phone: +49-(0)231-9740-0
Fax: +49-(0)231-9740-20
customer@te.com

ASIA

TE Connectivity
No. 26 Langshan Road
Shenzhen High-Tech Park (North)
Nanshan District, Shenzhen 518057 China
Tel +86 755 3330 5088
Fax +86 755 3330 5099

te.com

TE Connectivity, TE Connectivity (logo) and Every Connection Counts are trademarks. All other logos, products and/or company names referred to herein might be trademarks of their respective owners.

The information given herein, including drawings, illustrations and schematics which are intended for illustration purposes only, is believed to be reliable. However, TE Connectivity makes no warranties as to its accuracy or completeness and disclaims any liability in connection with its use. TE Connectivity's obligations shall only be as set forth in TE Connectivity's Standard Terms and Conditions of Sale for this product and in no case will TE Connectivity be liable for any incidental, indirect or consequential damages arising out of the sale, resale, use or misuse of the product. Users of TE Connectivity products should make their own evaluation to determine the suitability of each such product for the specific application.

© 2017 TE Connectivity Ltd. family of companies All Rights Reserved.

