

# Selection Guide of CP-2FL



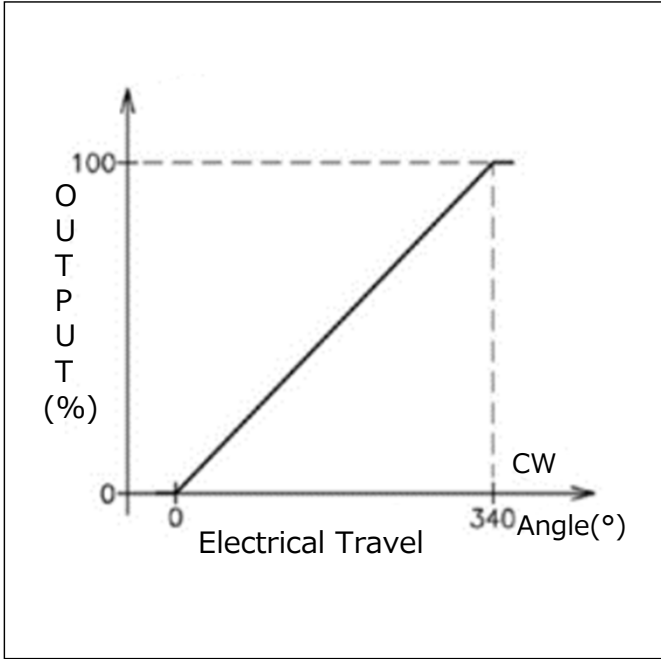
## Contact type potentiometer using Conductive Plastic Element

Subject		Specifications
Basic Characteristics	Dimension/Mass	Φ22.3×12.5mm / 20g approx.
	Effective Electrical Travel	340°
	Independent Linearity	±1% (Option ±0.5%)
	Total Resistance (Input voltage)	1kΩ (18Vmax.), 5kΩ (40Vmax.), 10kΩ (56Vmax.)
	Total Mechanical Travel	360° Endless
	Output	Voltage ratio
Electrical	Output Range	Voltage ratio 0~100%
	Resolution	Infinitesimal
	Rated Dissipation	0.5W / 50°C
	Temp. Coefficient of Resistance	±400ppm / K
Environmental	Life	MIN. 10 Million Revolution
	Category Temperature Range	-40~100°C
	Vibration	150m/s <sup>2</sup> 2000Hz 3 axes 2 hours each
	Shock	500m/s <sup>2</sup> 11ms 3 times each in 6 directions

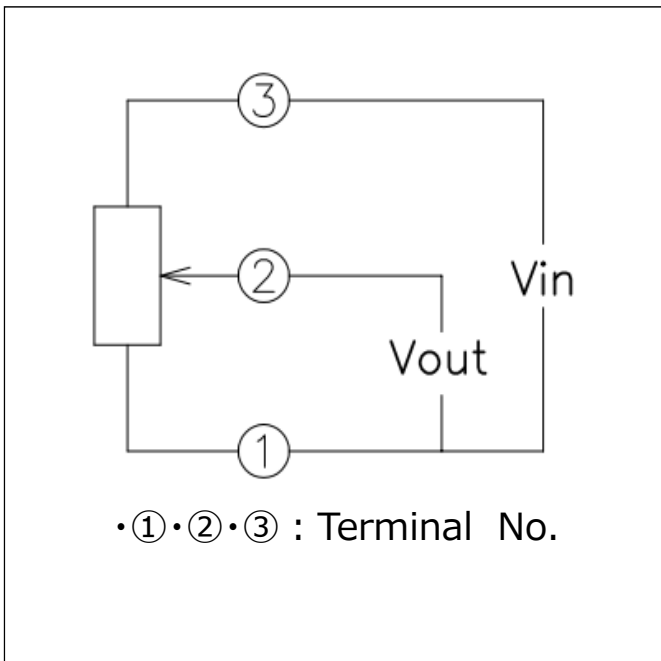
## Model Number Designation

<b>CP-2FL</b>	-	<b>6</b>	<b>1 K</b>	<b>0.5%</b>
Series Number		Shaft dia.	Total Resistance	Independent Linearity
		None = Φ3.175mm 6 = Φ6mm	1,5,10KΩ	None : ±1% ±0.5% : ±0.5%

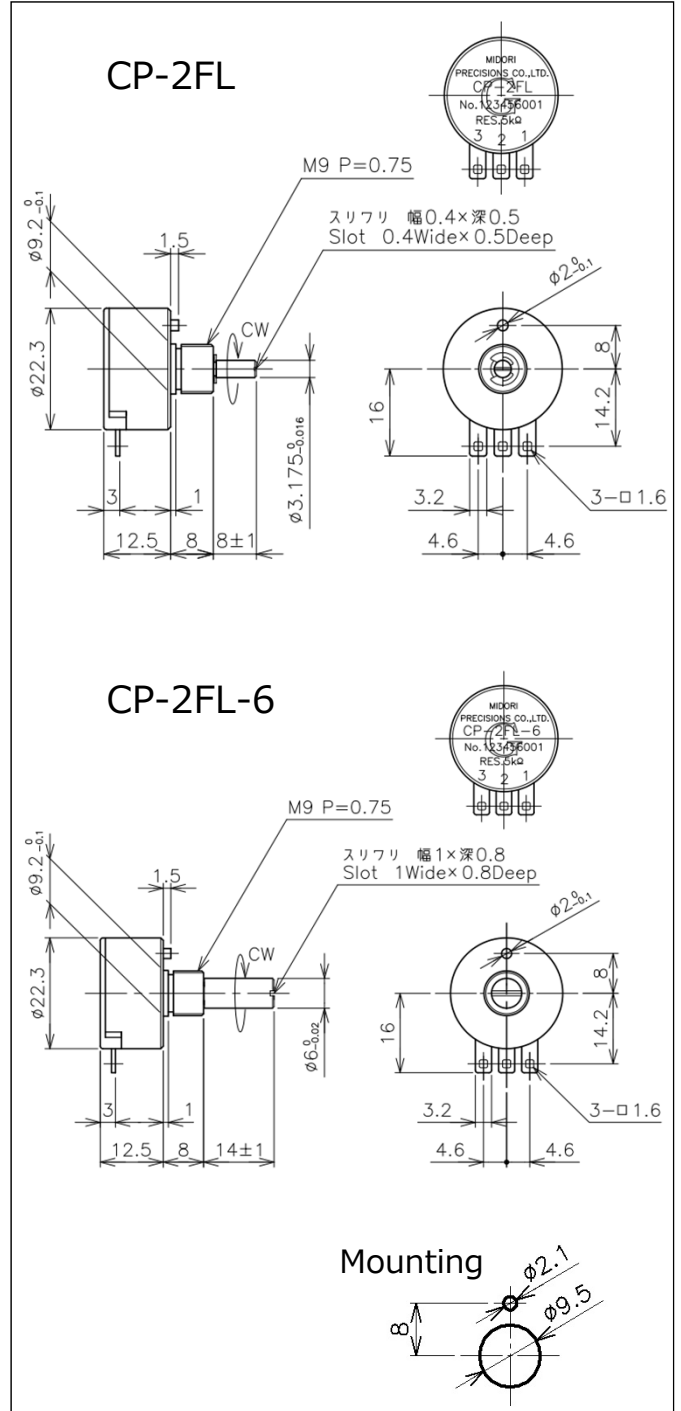
## ■ Output Characteristics



## ■ Schematic



## ■ Dimension



Please contact ;

**MIDORI PRECISIONS CO.,LTD.**

3-2-8, Shinmeidai Hamurashi,

Tokyo 205-0023, JAPAN

Tel: +81-42-554-5650

E-mail: overseas@midori.co.jp