



Selection Guide of CP-45F



Contact type potentiometer using Conductive Plastic Element

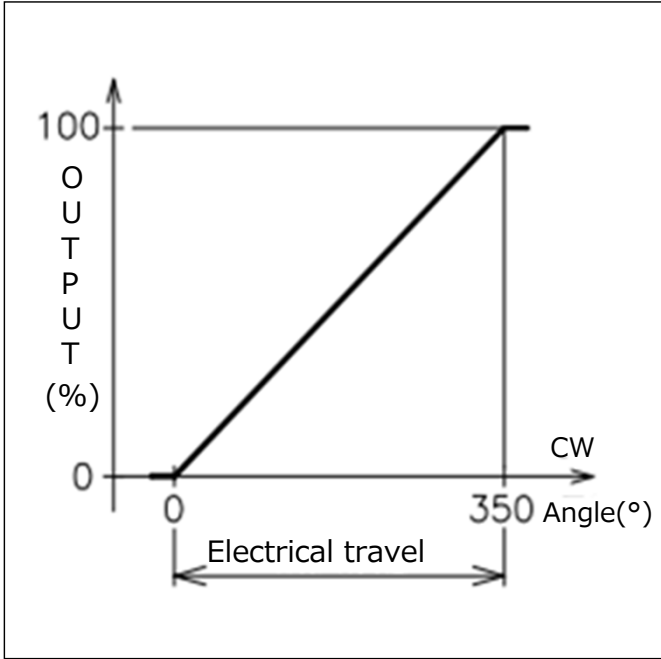
Subject		Specifications
Basic Characteristics	Dimension/Mass	Φ45×13.5mm / 51g approx.
	Effective Electrical Travel	350° +3° , -2°
	Independent Linearity	±0.1%
	Total Resistance (Input voltage)	1kΩ (50V max.) , 2kΩ (71V max.) , 5kΩ (112V max.) , 10kΩ (159V max.)
	Total Mechanical Travel	360° Endless
	Output	Ratio metric
Electrical	Output Range	Ratio metric output 0~100%
	Resolution	Infinitesimal
	Rated Dissipation	3W / 70°C
	Temp. Coefficient of Resistance	±400ppm / K
Environmental	Life	MIN. 50 Million Revolution
	Category Temperature Range	-40~+120°C
	Vibration	200m/s ² 2000Hz 3 axes 2 hours each
	Shock	600m/s ² 11ms 3 times each in 6 directions

* Other CP-45F series line-up
 "Multi-turn type", "Water Drip Proof type", and "Wire Extension type".

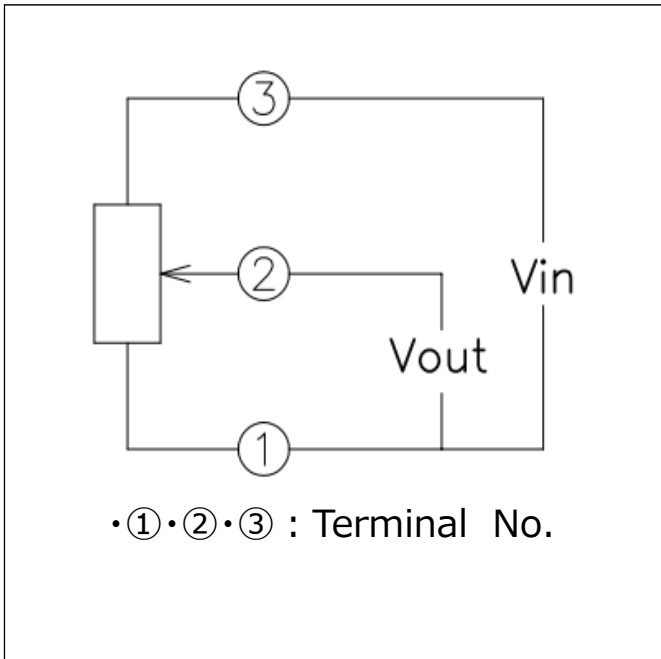
Model Number Designation

CP-45F	B	× 2	-	XX	1KΩ
Series Number	Shaft dia.	Output		Custom	Total Resistance
	None : Φ4mm B : Φ6mm	None : Single Output ×2 : Dual Output			1,2,5,10KΩ
				L2=0 : shaft L2 side 0mm XX : Other custom spec.	

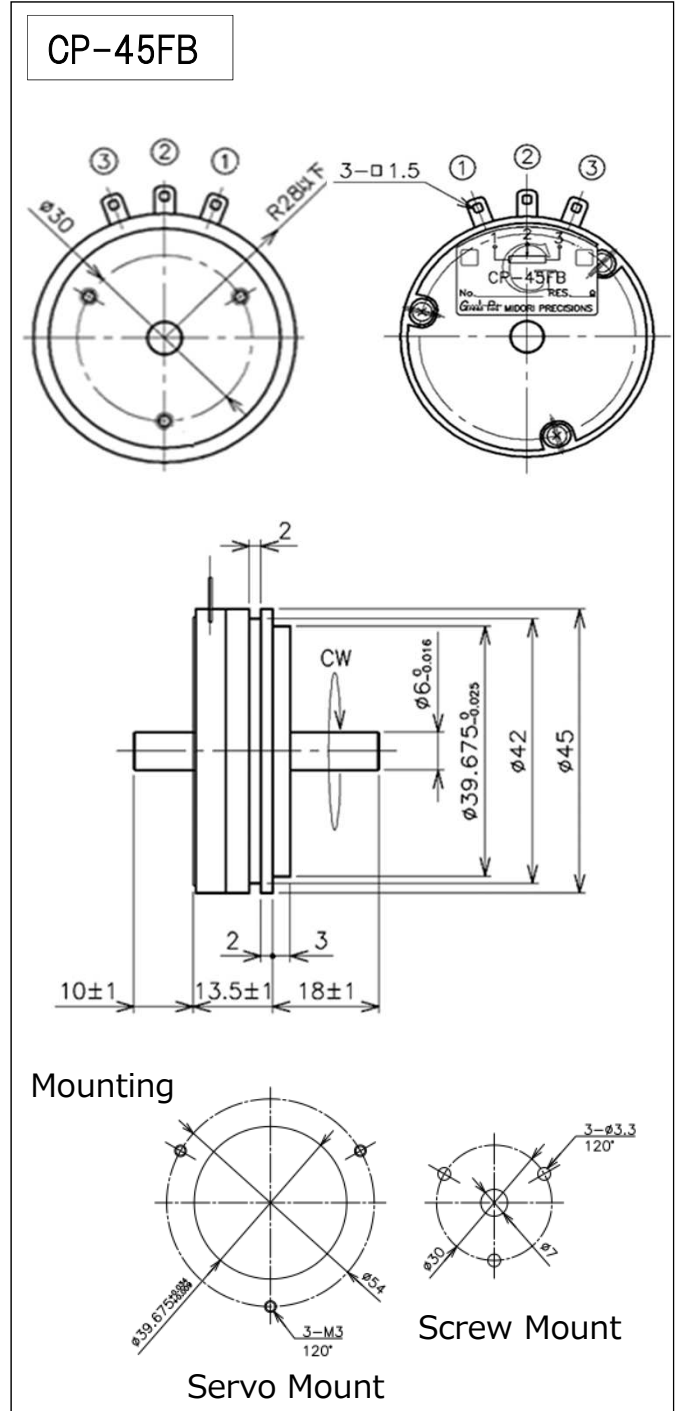
■ Output Characteristics



■ Schematic



■ Dimension



Please contact ;

MIDORI PRECISIONS CO.,LTD.

3-2-8, Shinmeidai Hamurashi,

Tokyo 205-0023, JAPAN

Tel: +81-42-554-5650

E-mail: overseas@midori.co.jp