

# Selection Guide of CE58M



## Select from Single-turn and Multi-turn type

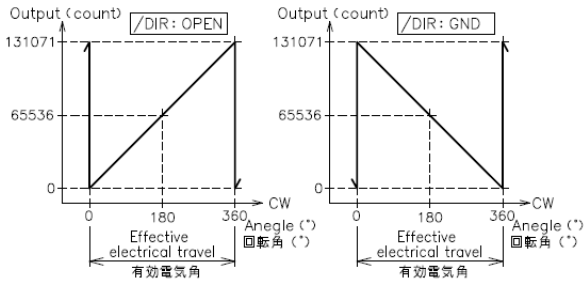
Subject		Single-turn (ST) type Absolute Encoder	Multi-turn (MT) type Absolute Encoder	
Basic Characteristics	Dimension/Mass	Φ58 × 27.5mm / 300g	Φ58 × 27.5mm / 500g	
	Hollow shaft ID	Φ15		
	Resolution	17bit/rev. (131072 counts per rev.)	17bit/rev.×16bit (131072 counts×65536 rev.)	
	Accuracy	±0.044° (13bit equivalent)		
	Output	Interface	RS-422	
		Format	ASI, SPI, SSI, BiSS	SSI
Max. Physical Speed		3000rpm		
Electrical	Internal Position Update Period	10kHz		
	Power Supply	DC4.5~30V		
Environmental	Operating Temp. Range	-20~+80°C		
	Vibration	196m/s <sup>2</sup> (IEC 60068-2-6)		
	Shock	980m/s <sup>2</sup> (IEC 60068-2-27)		
	EMC	Emission : IEC61000-6-4 Immunity : IEC 61000-6-2		
	IP Rating	IP50 / IP65		

## Model Number Designation

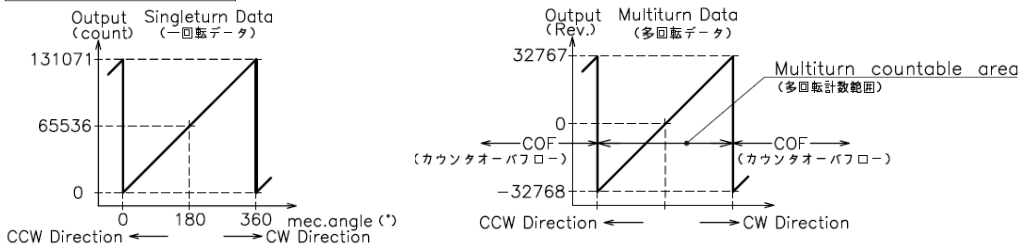
<b>CE58M</b>	<b>T</b>	<b>1</b>	-	<b>ST</b>	-	<b>17</b>	-	<b>ASI1</b>
Series Number	Shaft	IP Rating		Turns		Resolution		Output Format
	T:Hollow	0:IP50 1:IP65		ST: Single turn MT: Multi turn		Single turn ASI : ASI1, ASI2, ASI3 SPI : SPI1, SPI2 SSI : SSI1, SSI2, SSI3, SSI4 BiSS : BiSS1 Multi turn SSI: SSI4		

## ■ 出力特性図

### ST Type



### MT Type

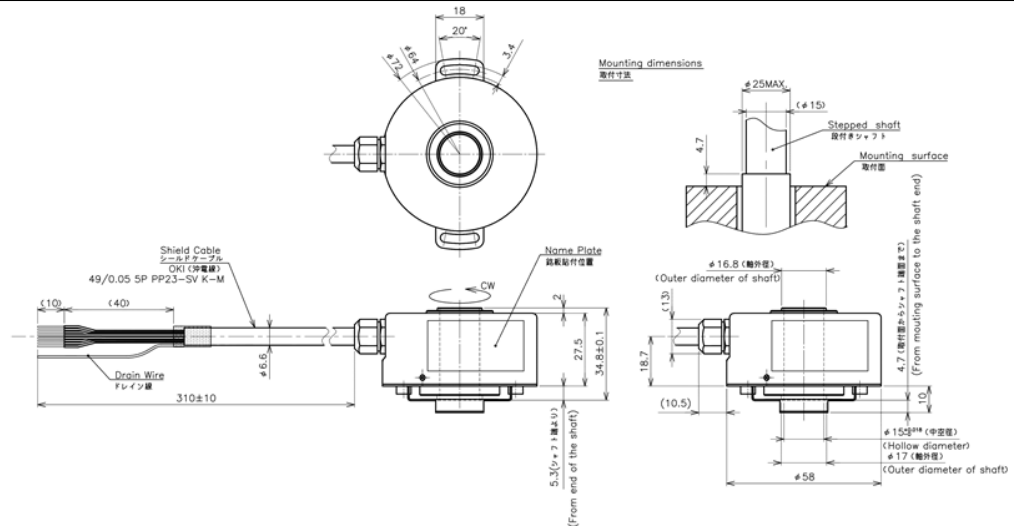


## ■ Function

Model	Function	Outline of Function
Single-turn (ST) Type Absolute Encoder	Zero Set (Input)	Zero position can be set any angle position.
	Direction Set (Input)	Standard Output is CW increase. Direction can be changed CCW increase.
Multi-turn (MT) Type Absolute Encoder	ST Zero Set (Input)	Zero position of ST can be set on any angle position.
	MT Zero Set (Input)	Zero position of MT can be set on any angle position.
	Battery Low Alert Output	Alert signal is output when back-up battery voltage is low.
	Battery Error Alert Output	A signal is output when back-up battery voltage is under termination voltage.
	Multi-turn Overflow Alert Output	Alert signal is output when out of turn limit.

## ■ Dimension

### ST Type



### MT Type

