



ME A-868-SM

External 868MHz ISM Antenna
Part #: 100-00154-01

Description

The MEA-868-SM is a high gain & efficiency antenna to be used for 868MHz wireless applications. This external mount rugged antenna is ideal for high performance outdoor or indoor applications. It is designed for IOT, Telematics and remote metering mesh installations and systems. The high efficiency and gain along with the omni-directional properties provide this antenna a consistent and stable long range connectivity with high throughput data to devices for 868MHz needs. The antenna housing consist of black UV resistant rugged plastics and a heavy-duty metal base for optimal installations. The cable & connector are customizable.

Electrical Specifications

| Parameter | Specification |
|---------------------|------------------|
| Frequency Range | 865-868MHz |
| Gain | 3-5 dBi |
| V.S.W.R | ≤ 2.5:1 |
| Radiation | Omni-Directional |
| Polarization | Vertical |
| Maximum Input Power | 50W |
| Impedance | 50 Ω |

Mechanical Specifications

| Parameter | Specification |
|-------------------------|------------------|
| Antenna Dimensions | Φ 48 x 82 mm |
| Weight | 160 g |
| Operating Temperature | -40 °C to +70 °C |
| Antenna Radome Material | ABS |
| Connector | SMA Male |
| Cable Type | RG58U |
| Cable Length | 3M |
| Mount Type | Screw |
| Antenna Color | Black |
| ROHS Compliant | Yes |

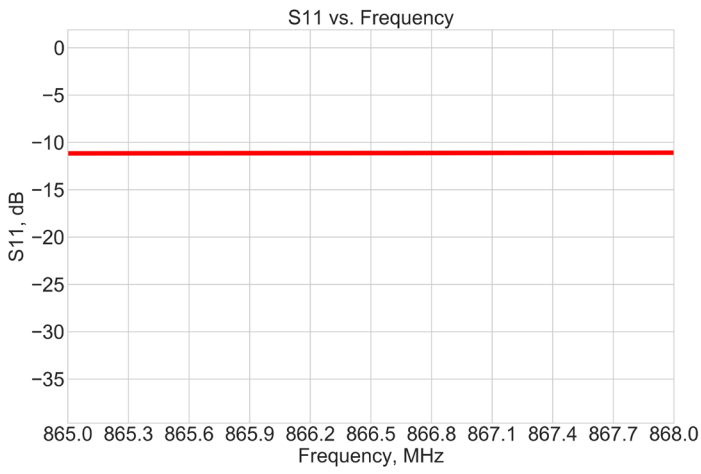


Features

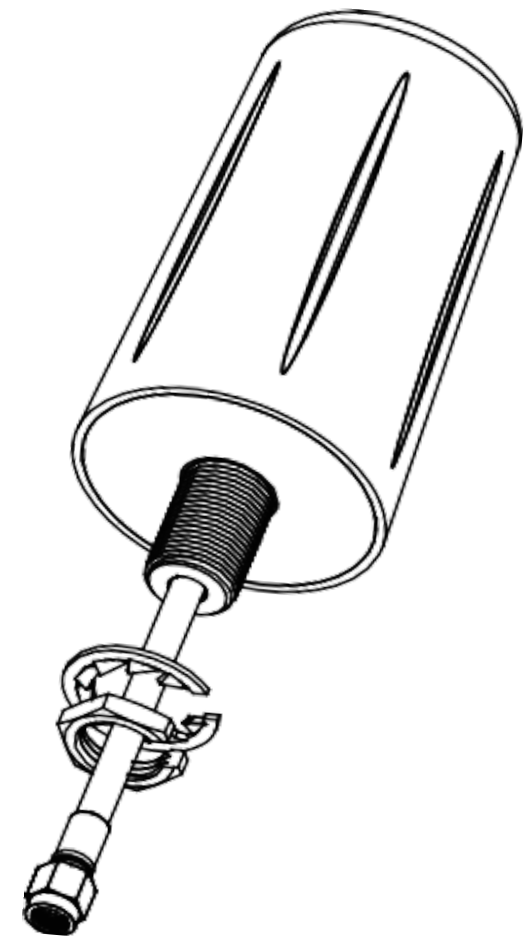
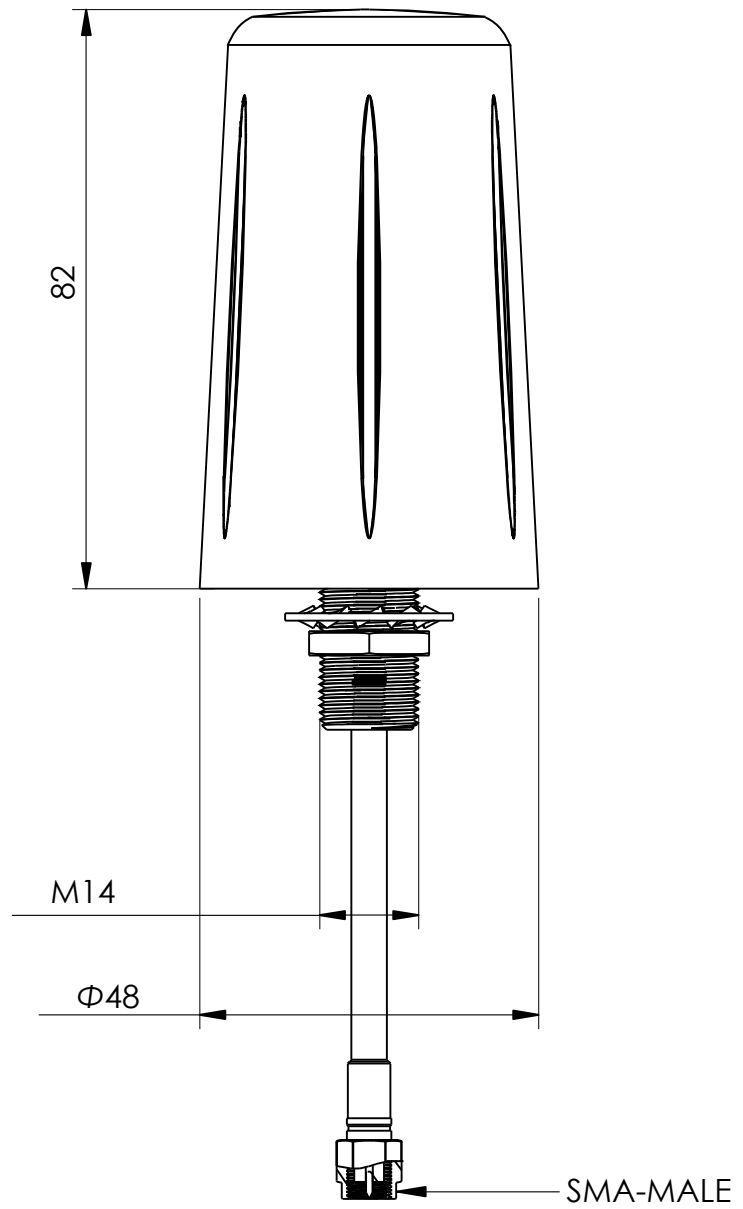
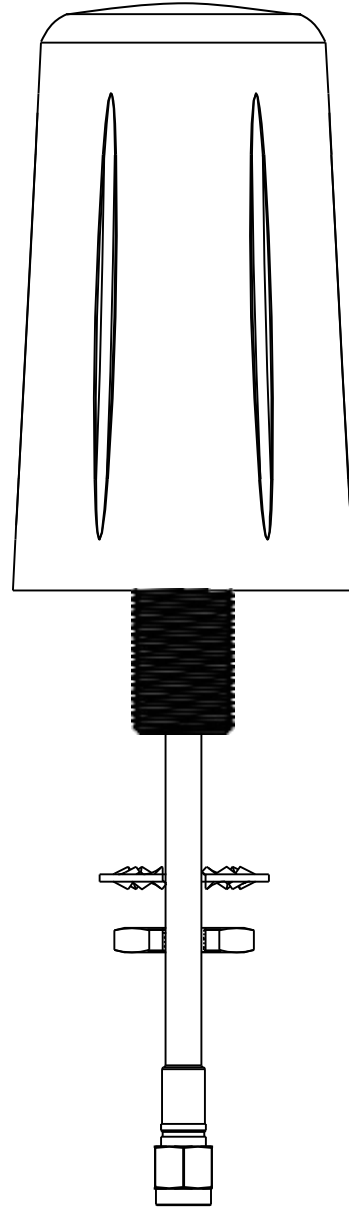
- 868MHz frequencies
- IP67 rated
- High gain & efficiency
- Custom cable & connector options

Applications

- Remote mesh networks
- Smart metering
- IOT
- Public Safety



| DRAWING REVISION HISTORY | | | |
|--------------------------|-----------------|------------|----|
| REV | DESCRIPTION | DATE | BY |
| A | INITIAL RELEASE | 2020-12-11 | QZ |



NOTES:

1. FREQUENCY: 865-868MHz
2. GAIN: 3~5dBi
3. V.S.W.R: ≤2.5
4. CONNECTOR: SMA-MALE
5. IMPEDANCE: 50 Ω
6. TEMPERATURE: -40 °C TO +70 °C
7. INPUT POWER: 50W
8. WEIGHT: 160g

| ITEM 100-00154-01 REVISION HISTORY | | | |
|------------------------------------|-----------------|------------|----|
| REV | DESCRIPTION | DATE | BY |
| A | INITIAL RELEASE | 2020-12-11 | QZ |

PROPRIETARY AND CONFIDENTIAL

THE INFORMATION CONTAINED IN THIS DRAWING IS THE SOLE PROPERTY OF MAXTENA, INC. ANY REPRODUCTION IN PART OR AS A WHOLE WITHOUT THE WRITTEN PERMISSION OF MAXTENA, INC IS PROHIBITED.

| UNLESS OTHERWISE SPECIFIED: | | NAME | DATE |
|--------------------------------------|--|-----------|----------------|
| DIMENSIONS ARE IN MM | | DRAWN | QZ 2020-12-11 |
| TOLERANCES: | | CHECKED | ZX 2020-12-11 |
| FRACTIONAL ± | | ENG APPR. | NPC 2020-12-11 |
| ANGULAR: MACH ± 0.5° BEND ± | | MFG APPR. | |
| INTEGER ± 2 | | Q.A. | |
| ONE PLACE DECIMAL: ± 1.0 | | | |
| TWO PLACE DECIMAL: ± 0.50 | | | |
| INTERPRET GEOMETRIC TOLERANCING PER: | | | |



 THIRD ANGLE PROJECTION
 DO NOT SCALE DRAWING

CAD MAINTAINED.
 CHANGES SHALL BE
 INCORPORATED BY
 THE DESIGN ACTIVITY.

| | | | |
|------------------|---------------------|--------------|--------------|
| MAXTENA, INC | | TITLE: | |
| | | 100-00154-01 | |
| | | MEA-868-SM | |
| SIZE | DWG. NO. | REV | |
| B | 117-00376-01 | A | |
| CAGE CODE: 5KQH7 | | SCALE: NONE | SHEET 1 OF 1 |

8 7 6 3 2 1

D
C
B
A

D
C
B
A

8 7 6 5 4 3 2 1